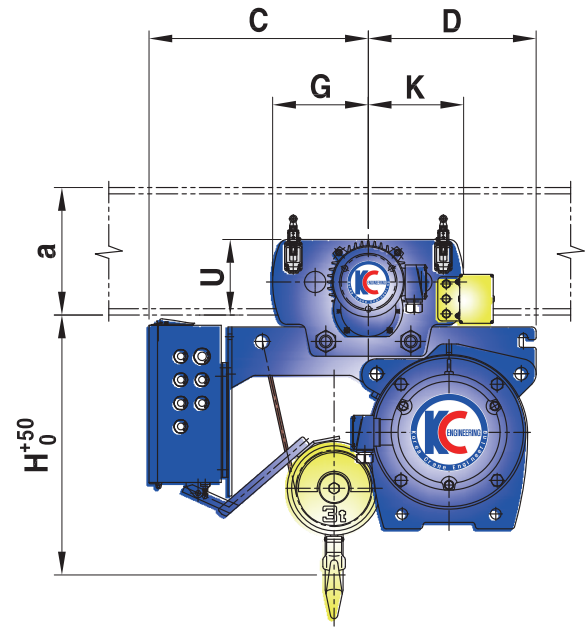
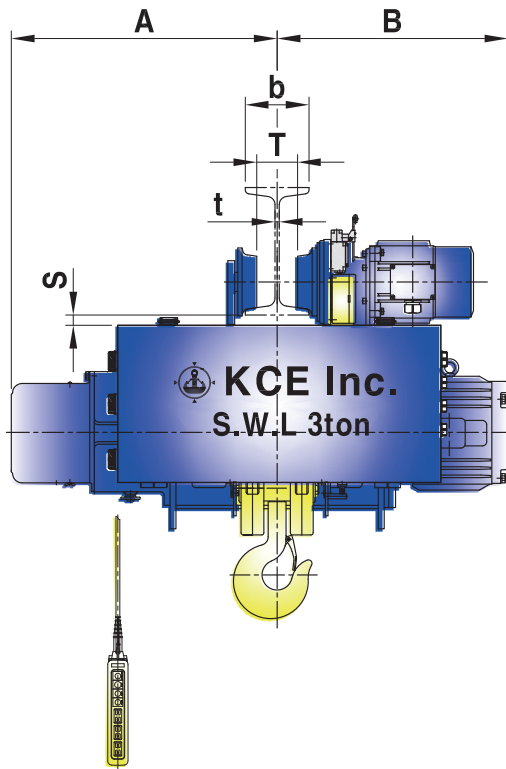


Low Head Type Hoist



Capacity (ton)		1			2			3			5			7.5		
Model No.		NL01-N-H06			NL02-N-H06			NL03-N-H06			NL05-N-H06			NL075-N-H12		
Hoisting	Lift Height (m)	6			6			6			6			12		
	Speed (m/min)	High 50/60 (Hz)		10/12	8.4/10		7.5/9		4.7/5.6		3.1/3.8					
		Low 50/60 (Hz)		5/6	4.2/5		3.7/4.5		3.5/4.2		2.3/2.8					
	Motor (kWxP)	High		2.4x4	3.7x4		5.5x4		5.5x6		5.5x6					
		Low		1.2x8	1.8x8		2.8x8		4.2x8		4.2x8					
Wire Rope [ϕ x Falls]	Construction		6x19	6x37			6x37			6x37			6x37			
	Dia.(mm) x No. of ropes		6x4	8x4			9x4			11.2x4			14x4			
Brake		DC Magnet Disc Brake														
Traversing	Speed (m/min)	High 50/60 (Hz)		20/24	20/24		20/24		20/24		20/24		12.5/15			
		Low 50/60 (Hz)		13/16	13/16		13/16		13/16		13/16		8.3/10			
	Motor (kWxP)	High		0.4x4	0.75x4		0.75x4		0.75x4		0.75x4		0.75x4			
		Low		0.2x6	0.5x6		0.5x6		0.5x6		0.5x6		0.5x6			
Dimension (approx.) (mm)	H	550			620			620			800			1000		
	A	505			590			620			705			790		
	B	480			510			540			585			705		
	C	405			435			510			585			730		
	D	290			385			395			465			560		
	G	255			260			260			275			300		
	K	200			225			225			275			300		
I-beam and spacing (mm)	a x b x t	S	T	U	S	T	U	S	T	U	S	T	U	S	T	U
	200x100x7	38	46	144	-	-	-	-	-	-	-	-	-	-	-	-
	250x125x7.5	30	71	153	22	71	182	23	71	182	-	-	-	-	-	-
	300x150x10	30	71	155	22	96	182	23	96	182	26	86	224	30	52	246
450x175x13	-	-	-	-	-	-	-	-	-	-	23	111	228	32	77	248
Min. Radius of Curvature (m)		1.5			1.8			1.8			2.3			-		
Weight (approx.) (kg)		200			350			440			730			1300		

Note : Dimensions of i-beam in sections are standard ones. Other I-beam size also can be used by changing spacers.

- All materials applied are suitable in specified ambient temperature.
- KCE Inc reserves the right to alter or amend the above information without notice.
- The size can be changed according to detailed design.