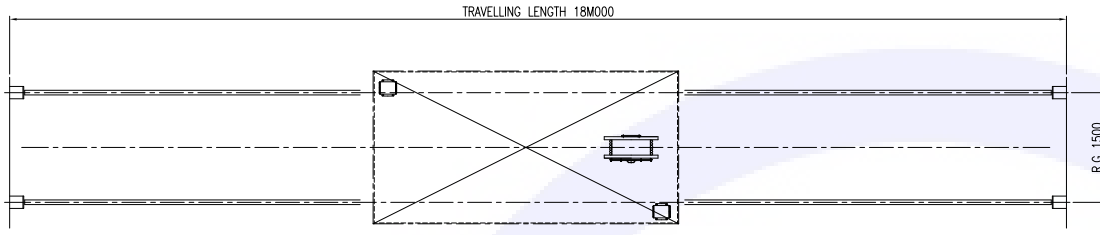
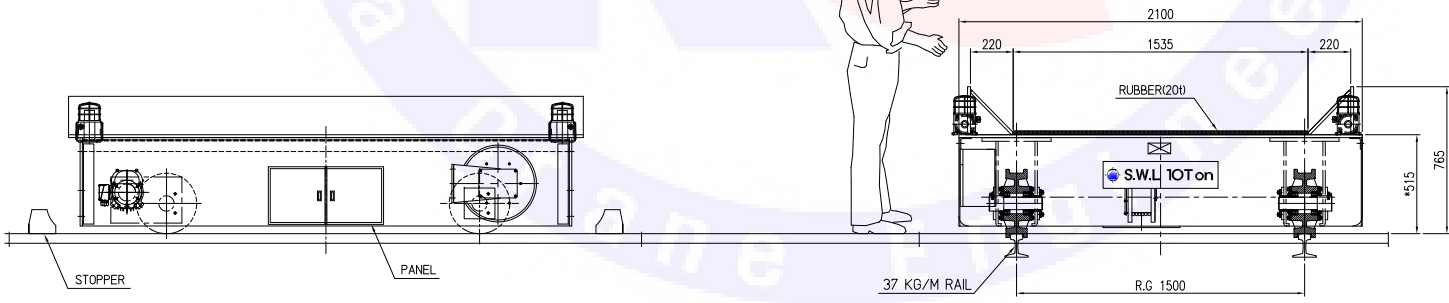
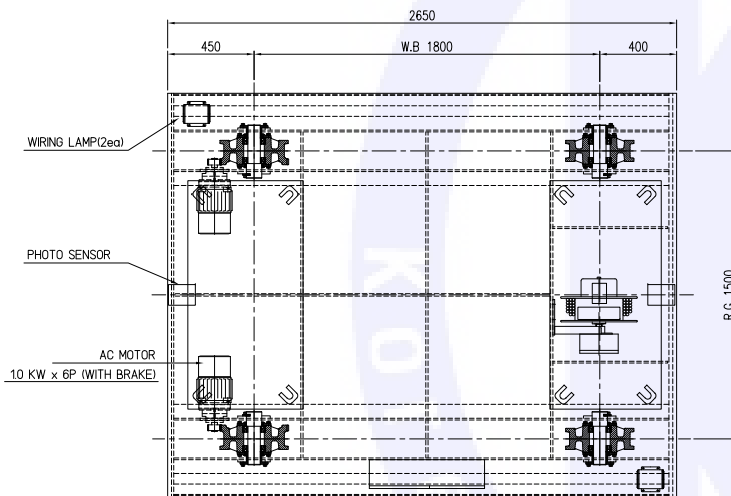


NO.	DESCRIPTION	SPECIFICATION	MAT'L(KS)	QUANTITY		WEIGHT(kg)		REMARK
				UNIT	TOTAL	PERUNIT	TOTAL	



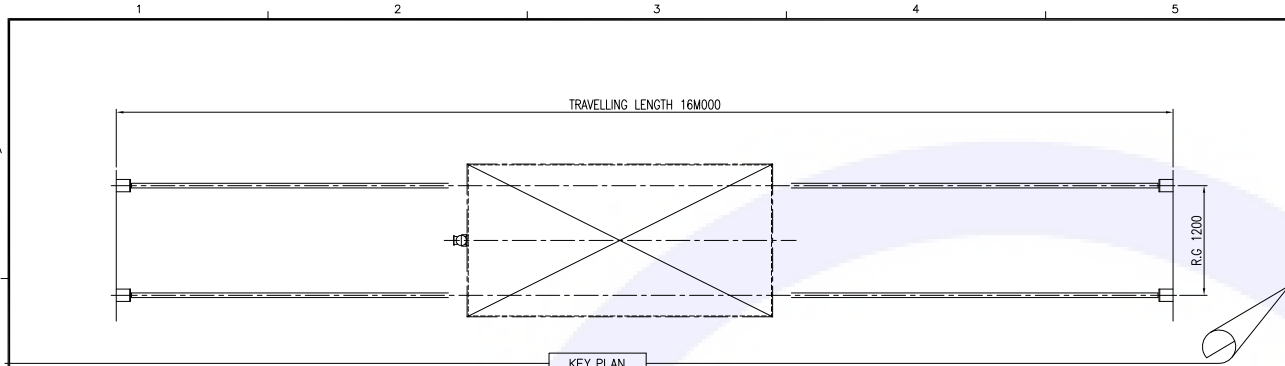
KEY PLAN

SPECIFICATION				
	SPEED M/MIN	MOTOR		BRAKE
		kW	POLE	
TRAVEL	15	2-10	6	DC MAG
RATED LOAD	10 TON			
TRAVEL RAIL	JIS 37KG/M			
TRAVEL LENGTH	16 M			
SELF WEIGHT	3.5 TON			
QUANTITY	: One(1) SET			
CAPACITY	: 10TON			
TRAVEL LENGTH	: 16 M			
DUTY	: FOR TRAVELCLASS M5 AS PER FEM-1998 FOR STRUCT.CLASS A5 AS PER FEM-1998			
LOCATION	: INDOOR			
POWER SUPPLY	: AC 440V±10%			
AMBIENT TEMPERATURE	: -10°C ~ 45°C			
OPERATION FROM	: PANEL CONTROL			

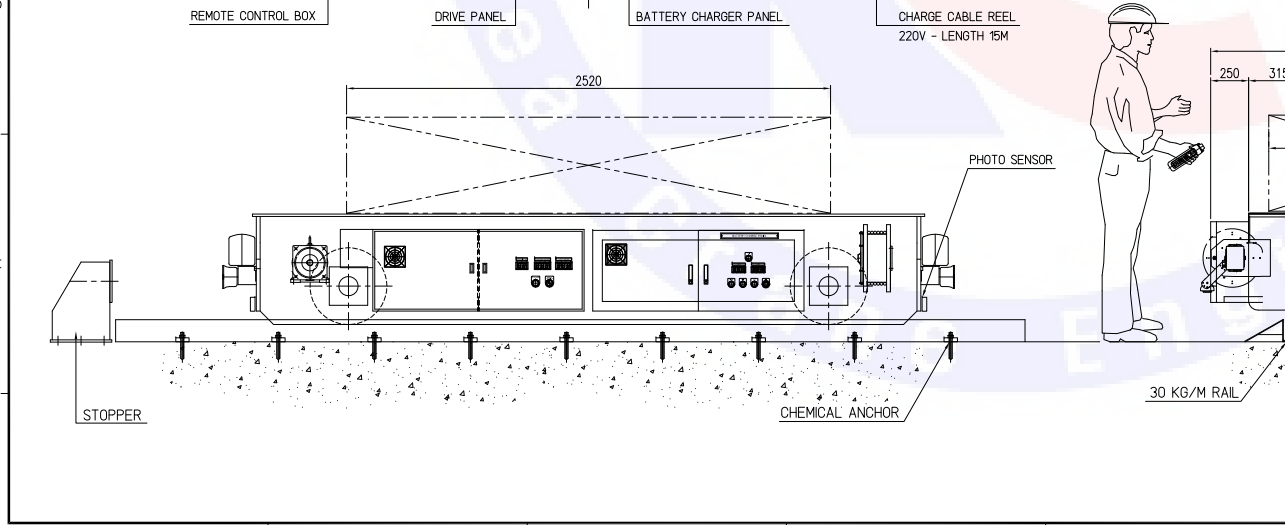
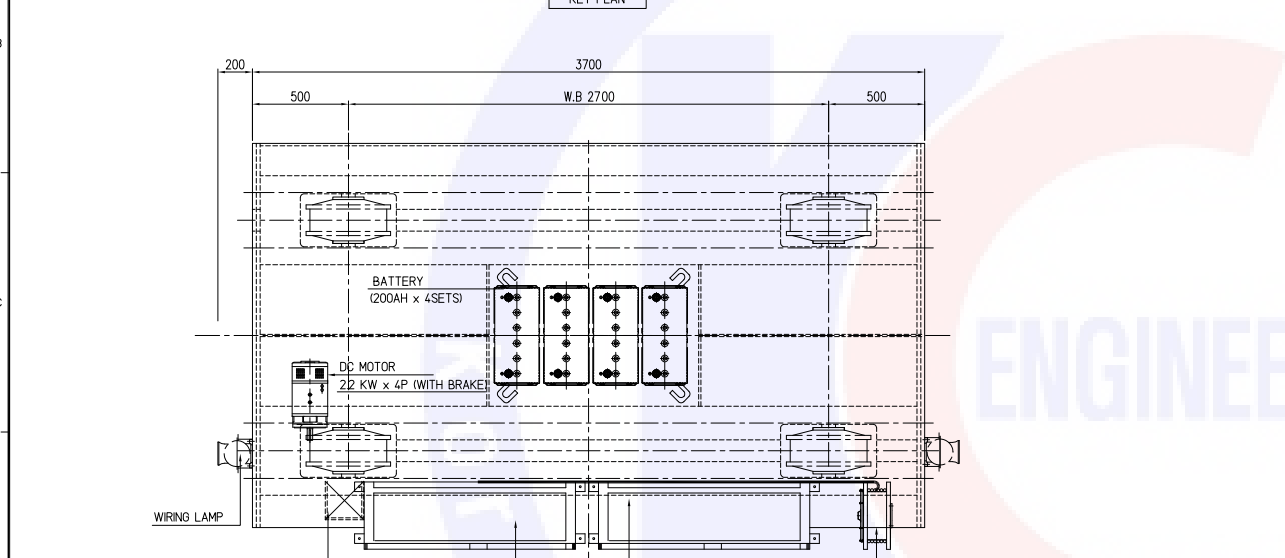


CLIENT			
CONTRACTOR			
TITLE	10TON BATTERY CART GENERAL ASSEMBLY		
DESIGN	NAME	DATE	3RD ANGLE PROJECTION
	T.Y KIM	2021.10.25	SCALE 1 : 10
CHECKED	J.P PARK	2021.10.25	REF. DWG. No. -
			ORDER No.
REVIEWED			DWG. No.
APPROVED			REV. 0

Rev.	Date	Revisions description	Designed by	Checked by	Reviewed by	Approved by



KEY PLAN



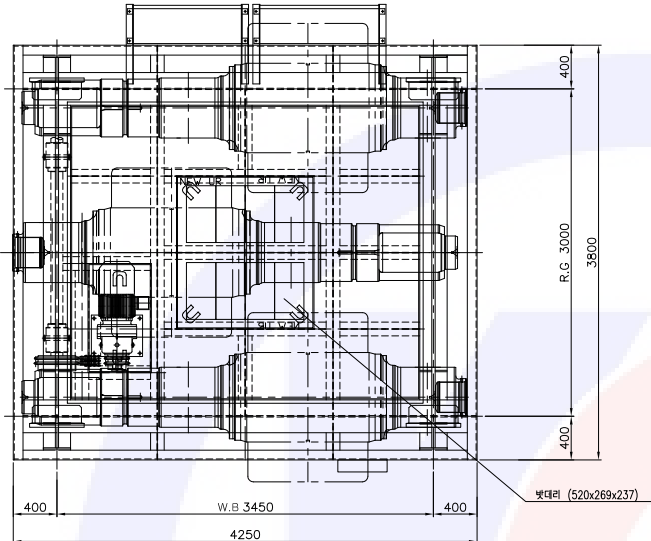
NO.	DESCRIPTION	SPECIFICATION	MAT'L(KS)	QUANTITY		WEIGHT(kg)		REMARK
				UNIT	TOTAL	PERUNIT	TOTAL	

SPECIFICATION					
	SPEED M/MIN	MOTOR		BRAKE	CONTROL
		kW	POLE		
TRAVEL	20	2.2	4	DC MAG'	PLC
RATED LOAD	25 TON				
TRAVEL RAIL	JIS 30KG/M				
TRAVEL LENGTH	16 M				
SELF WEIGHT	5 TON				
QUANTITY	: One(1) SET				
CAPACITY	: 25TON				
TRAVEL LENGTH	: 16 M				
DUTY	: FOR TRAVELCLASS M5 AS PER FEM-1998 FOR STRUCTCLASS A5 AS PER FEM-1998				
LOCATION	: INDOOR				
POWER SUPPLY	: AC 220V±10%				
CONTROL VOLTAGE	: DC 48V±10%				
AMBIENT TEMPERATURE	: -10°C ~ 45°C				
OPERATION FROM	: REMOTE+PUSH BUTTON				

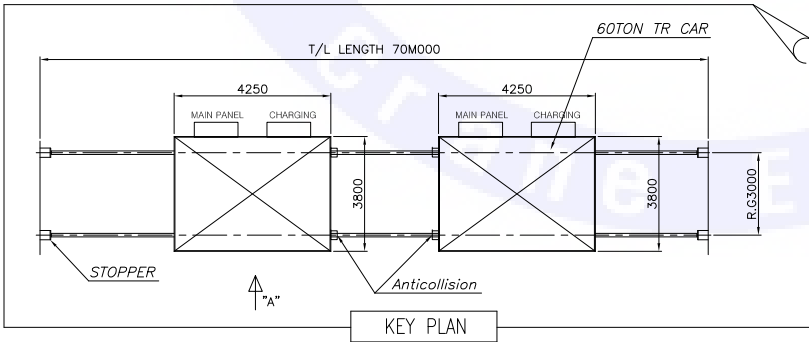
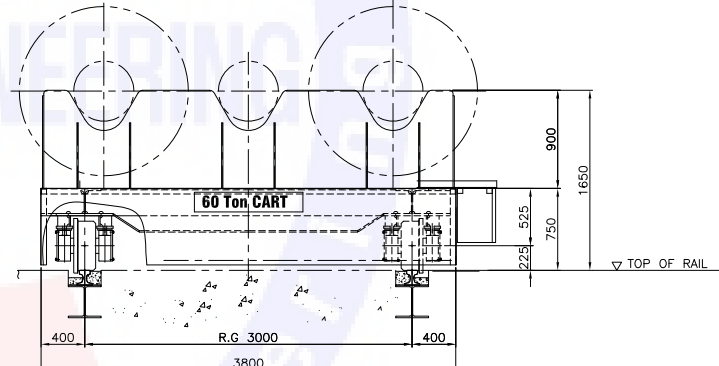
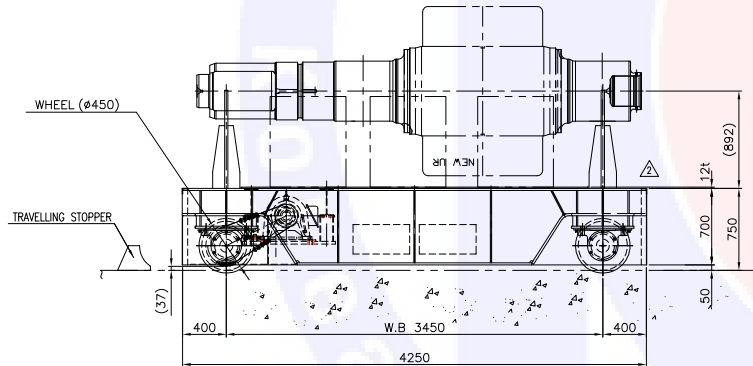
CLIENT	HYUNDAI STEEL		
CONTRACTOR	KCE Inc.		
TITLE	25TON BATTERY CART GENERAL ASSEMBLY		
DESIGN	NAME	DATE	3RD ANGLE PROJECTION
CHECKED	T.Y KIM	2021.03.30	SCALE 1 : 10
REVIEWED	J.P PARK	2021.03.30	REF. DWG. No. -
APPROVED			ORDER No. -
			DWG. No. -
			REV. 0
			I-JM-2021-25T-GA

Rev.	Date	Revisions description	Designed by	Checked by	Reviewed by	Approved by

NO.	DESCRIPTION	SPECIFICATION	MAT'L(KS)	QUANTITY		WEIGHT(kg)		REMARK
				UNIT	TOTAL	PERUNIT	TOTAL	
1	FRAME	-	-	-	1			
2	TRAVELLING ASS'Y	-	-	-	1			



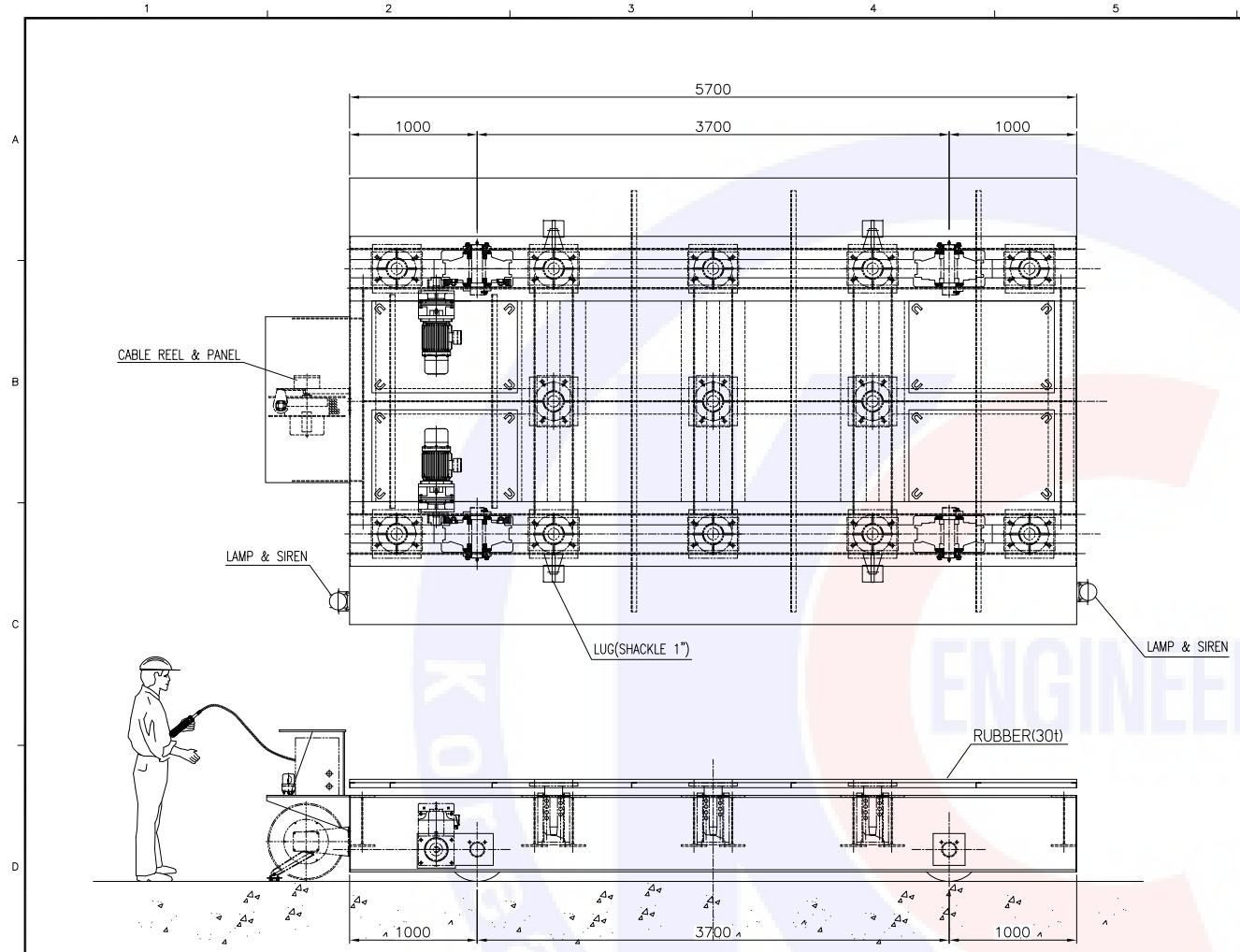
SPECIFICATION					
	SPEED M/MIN	MOTOR		BRAKE	CONTROL
		kW	POLE		
TRAVEL	20	3.7	4	DC MAG	INVERTER
RATED LOAD	60 TON				
TRAVEL RAIL	JIS 73KG/M				
TRAVEL LENGTH	70 M				
QUANTITY	: TWO(2) SET				
CAPACITY	: 60TON				
TRAVEL LENGTH	: 70 M				
DUTY	: FOR TRAVELCLASS M5 AS PER FEM-1998 : FOR STRUCT.CLASS A5 AS PER FEM-1998				
LOCATION	: INDOOR				
POWER SUPPLY	: DC 48V±10%				
CONTROL VOLTAGE	: DC 48V±10%				
AMBIENT TEMPERATURE	: -10°C ~ 45°C				
OPERATION FROM	: PUSH BUTTON				



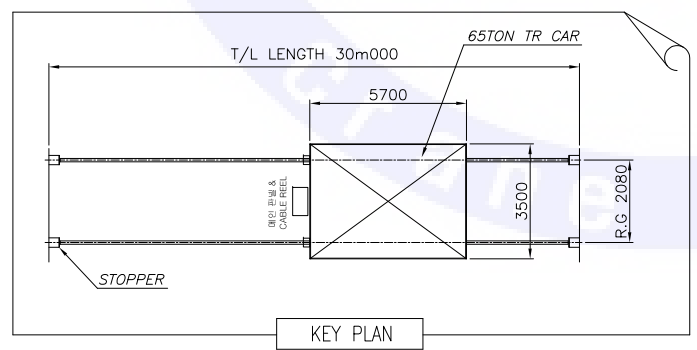
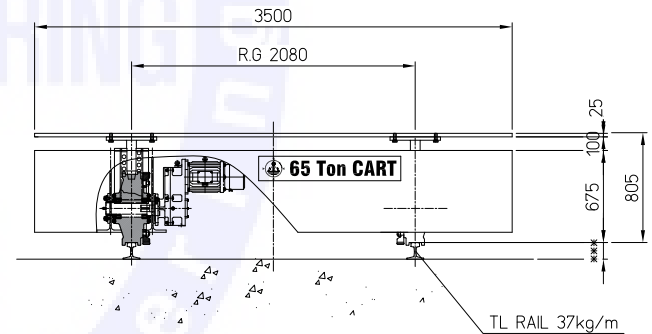
Rev.	Date	Revisions description	Designed by	Checked by	Reviewed by	Approved by
△						
△						
△						
△						

CLIENT	HYUNDAI STEEL		
CONTRACTOR	KCE Inc.		
TITLE	60TON TRANSFER CAR GENERAL ASSEMBLY		
DESIGN	NAME	DATE	3RD ANGLE PROJECTION
CHECKED	T.Y KIM	2020.11.05	SCALE N : S
REVIEWED	J.P PARK	2020.11.05	REF. DWG. No. -
APPROVED	ORDER No.		DWG. No.
	1-JM-2020-60-GA00		REV. 4

NO.	DESCRIPTION	SPECIFICATION	MAT'L(KS)	QUANTITY		WEIGHT(kg)		REMARK
				UNIT	TOTAL	PERUNIT	TOTAL	



SPECIFICATION					
	SPEED M/MIN	MOTOR		BRAKE	CONTROL
		KW	POLE		
TRAVEL	20	2x37	4	DC MAG'	INVERTER
RATED LOAD	70 TON				
TRAVEL RAIL	JIS 37KG/M				
TRAVEL LENGTH	30 M				
QUANTITY	: 1 SET				
CAPACITY	: 65TON				
TRAVEL LENGTH	: 30 M				
DUTY	: FOR TRAVELCLASS M5 AS PER FEM-1998 : FOR STRUCT.CLASS A5 AS PER FEM-1998				
LOCATION	: INDOOR				
POWER SUPPLY	: AC 440V±10%				
CONTROL VOLTAGE	: AC 110V±10%				
AMBIENT TEMPERATURE	: -10°C ~ 45°C				
OPERATION FROM	: PANEL+PUSH BUTTON				

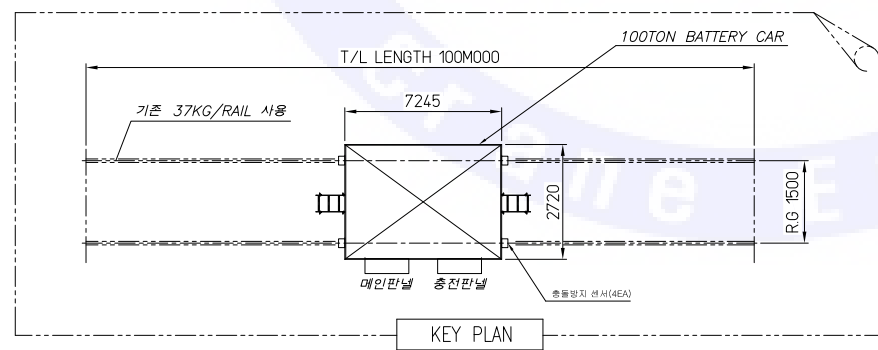
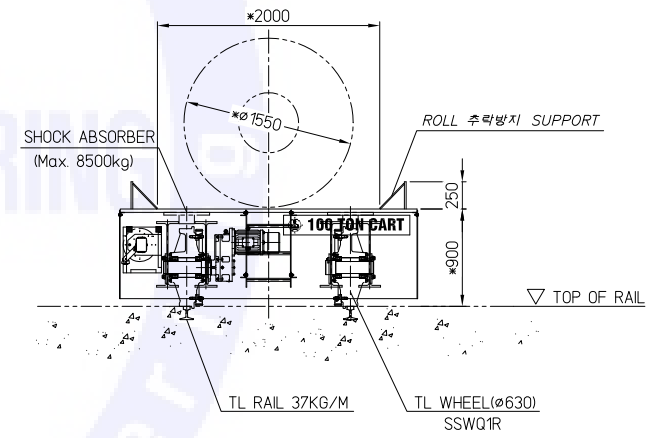
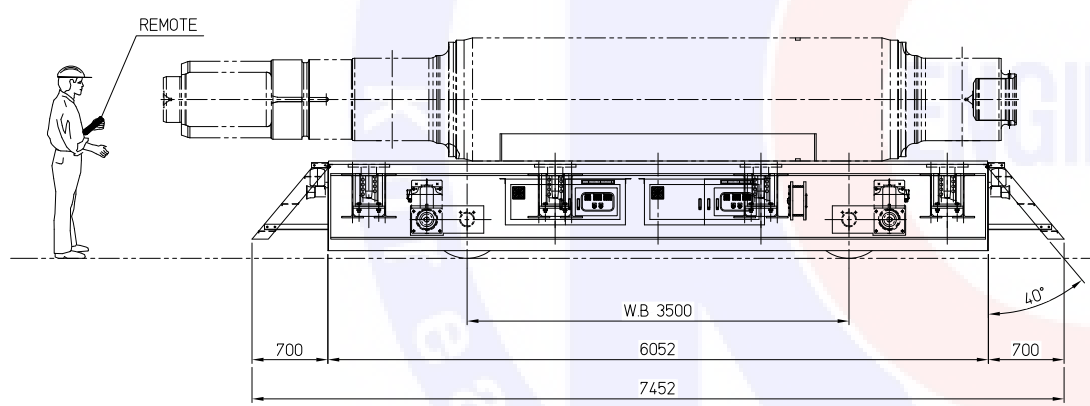
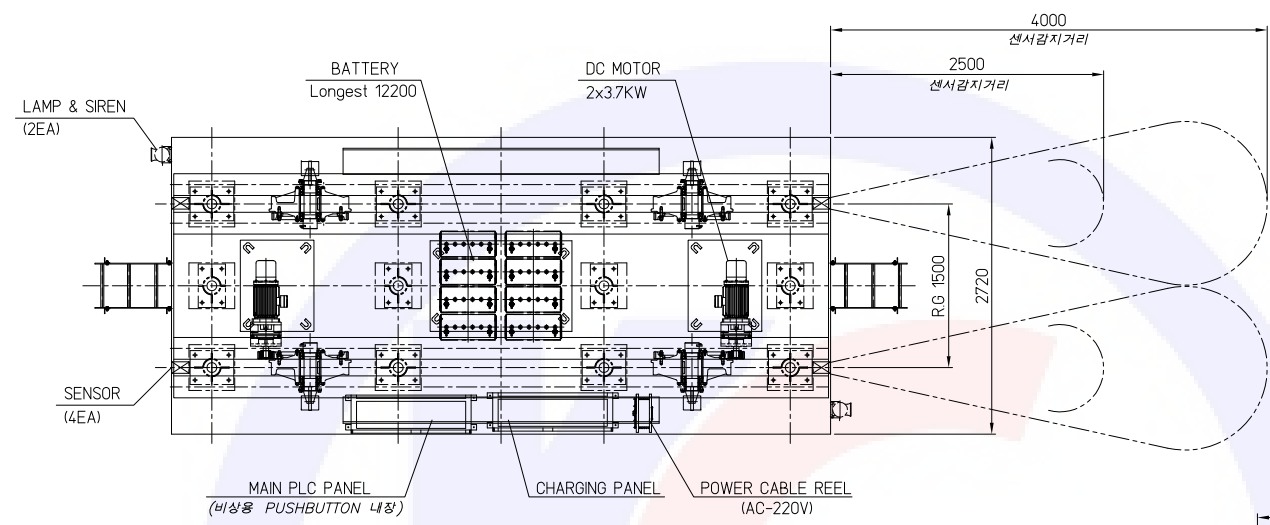


Rev.	Date	Revisions description	Designed by	Checked by	Reviewed by	Approved by

CLIENT			
CONTRACTOR			
TITLE	65TON TRANSFER CAR GENERAL ASSEMBLY		
DESIGN	NAME	DATE	3RD ANGLE PROJECTION
CHECKED	T.Y KIM	2022.02.14	SCALE
REVIEWED	J.P PARK	2022.02.14	REF. DWG. No.
APPROVED			ORDER No.
			DWG. No.
			REV.
			1-JM-2022-65-GA00
			4

NO.	DESCRIPTION	SPECIFICATION	MAT'L(KS)	QUANTITY		WEIGHT(kg)		REMARK
				UNIT	TOTAL	PERUNIT	TOTAL	
1	FRAME	-	-	-	1	-	00	
2	TRAVELLING ASS'Y	-	-	-	1	-	00	

SPECIFICATION					
	SPEED M/MIN	MOTOR kW POLE		BRAKE	CONTROL
TRAVEL	20	2x37	4	DC MAG ⁶	PLC
RATED LOAD	100 TON				
TRAVEL RAIL	JIS 37KG/M				
TRAVEL LENGTH	100M				
QUANTITY	: One(1) SET				
CAPACITY	: 100TON				
TRAVEL LENGTH	: 100 M				
DUTY	: FOR TRAVEL.CLASS M5 AS PER FEM-1998 FOR STRUCT.CLASS A5 AS PER FEM-1998				
LOCATION	: INDOOR				
POWER SUPPLY	: DC 48V±10%				
CONTROL VOLTAGE	: DC 48V±10%				
AMBIENT TEMPERATURE	: -10°C ~ 45°C				
OPERATION FROM	: REMOTE + PUSH BUTTON				

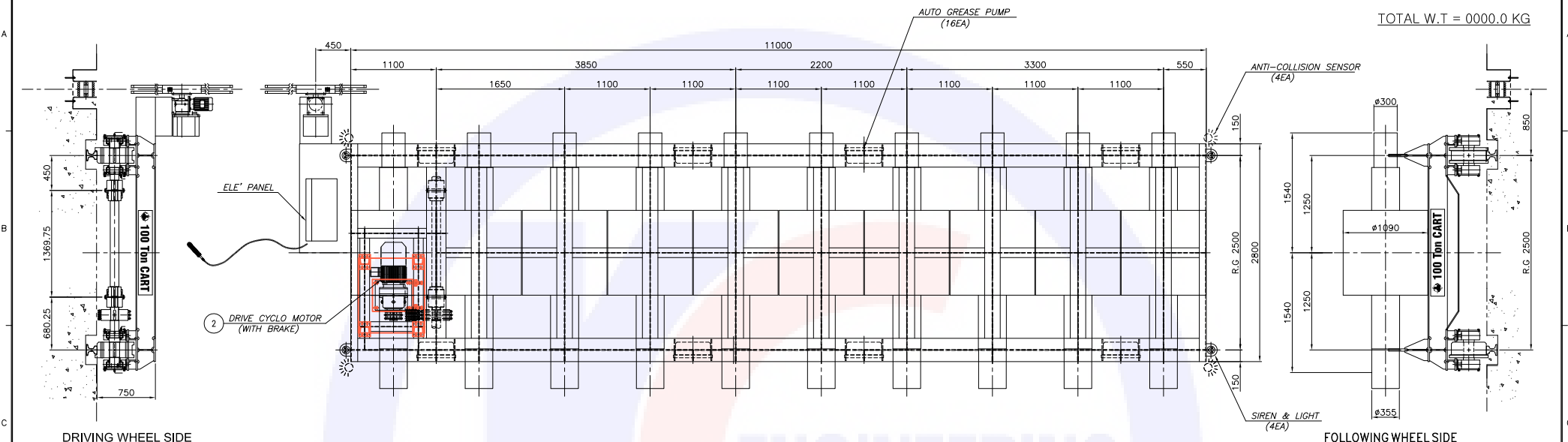


Rev.	Date	Revisions description	Designed by	Checked by	Reviewed by	Approved by
△1						
△2						
△3	2022.11.04		T.Y. KIM	J.P. PARK		
			22.11.04	22.11.04		

CLIENT	HYUNDAI STEEL		
CONTRACTOR	KCE Inc.		
TITLE	100TON TRANSFER CAR GENERAL ASSEMBLY		
DESIGN	NAME	DATE	3RD ANGLE PROJECTION
CHECKED	T.Y. KIM	2022.11.04	SCALE N : S
REVIEWED	J.P. PARK	2022.11.04	REF. DWG. No. -
APPROVED			ORDER No.
			DWG. No.
			REV. 0
			I-JM-2022-100-GA00

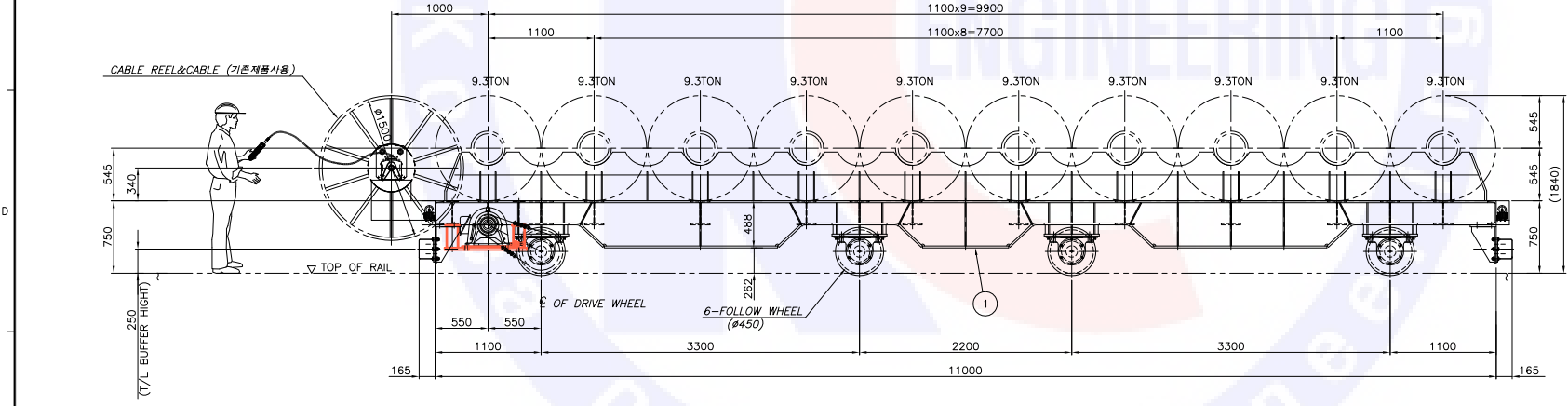
NO.	DESCRIPTION	SPECIFICATION	MAT'L(KS)		WEIGHT(kg)		REMARK
			UNIT	TOTAL	PERUNIT	TOTAL	
1	FRAME	-	-	1	-	00	
2	TRAVELLING ASS'Y	-	-	1	-	00	

TOTAL W.T = 0000.0 KG

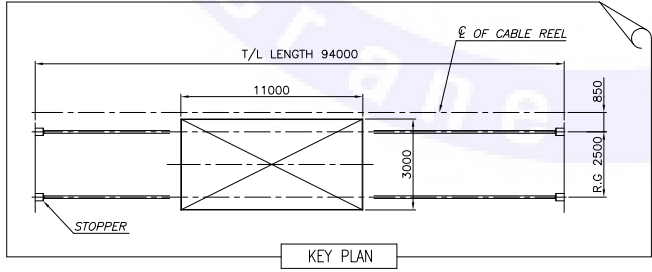


DRIVING WHEEL SIDE

FOLLOWING WHEEL SIDE



SPECIFICATION				
	SPEED M/MIN	MOTOR kW	POLE	CONTROL
TRAVEL	30	75	6	DC MAG ⁺ INVERTER
RATED LOAD	100 TON			
TRAVEL RAIL	JIS 73KG/M			
TRAVEL LENGTH	94 M			
TRAVEL SPEED	150x1/29 x0.45 ≡ 17/32≡30 M/MIN			
QUANTITY	: TWO(2) SET			
CAPACITY	: 100TON			
TRAVEL LENGTH	: 94 M			
DUTY	: FOR TRAVEL CLASS M5 AS PER FEM-1998 FOR STRUCT CLASS A5 AS PER FEM-1998			
LOCATION	: INDOOR			
POWER SUPPLY	: AC 440V±10%, 3PHASE, 60Hz±5			
CONTROL VOLTAGE	: AC 110V±10%, 1PHASE, 60Hz±5			
AMBIENT TEMPERATURE	: -10°C ~ 45°C			
OPERATION FROM	: PUSH BUTTON			



KEY PLAN

CLIENT	HYUNDAI STEEL		
CONTRACTOR	KCE Inc.		
TITLE	100TON TRANSFER CAR GENERAL ASSEMBLY		
DESIGN	T.Y KIM	2020.07.20	3RD ANGLE PROJECTION
CHECKED	J.P PARK	2020.07.20	SCALE 1 : 25
REVIEWED			REF. DWG. No. -
APPROVED			ORDER No.
			DWG. No.
			REV.
			1-JM-2020-100-GA00
			0

Rev.	Date	Revisions description	Designed by	Checked by	Reviewed by	Approved by