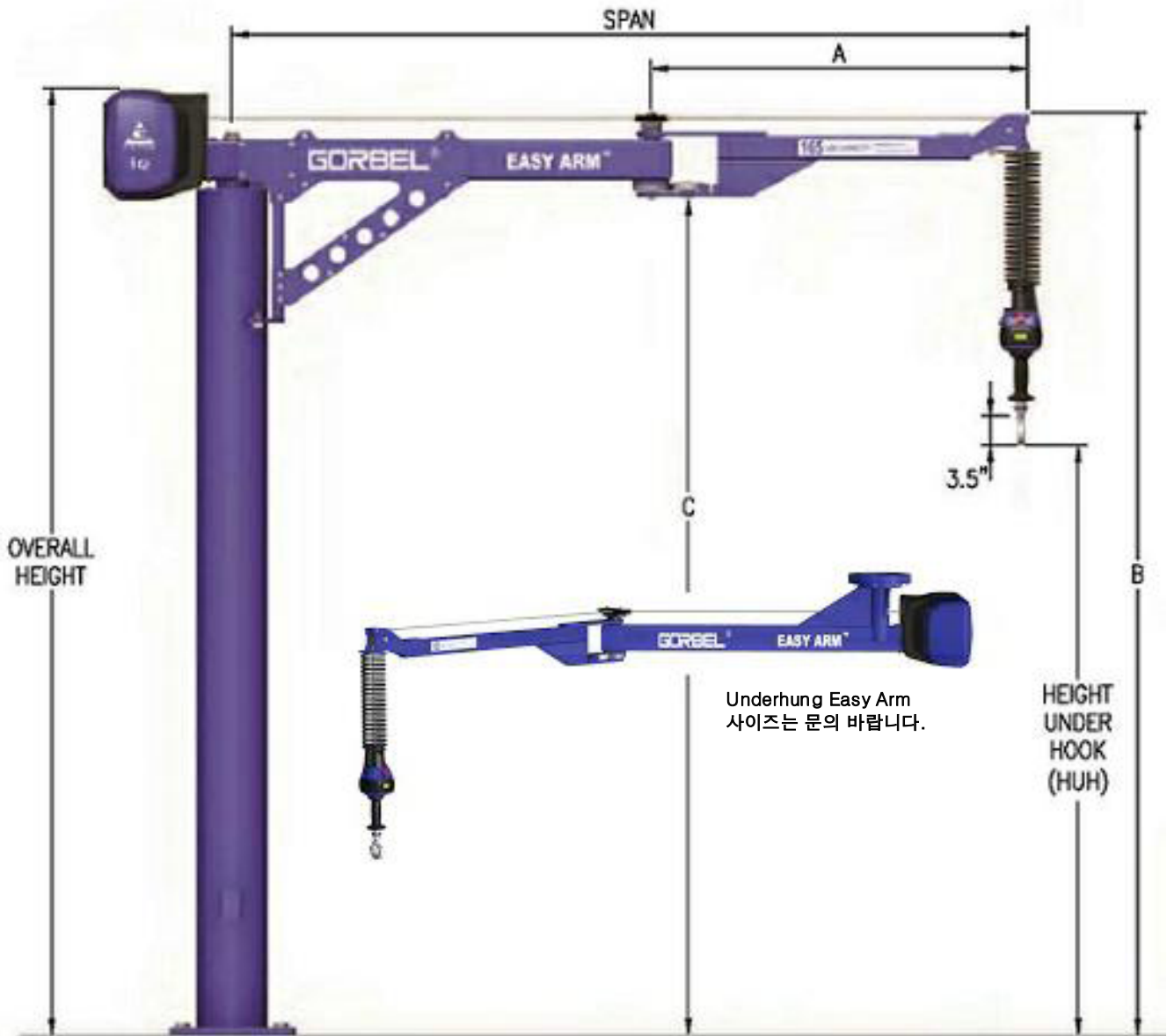


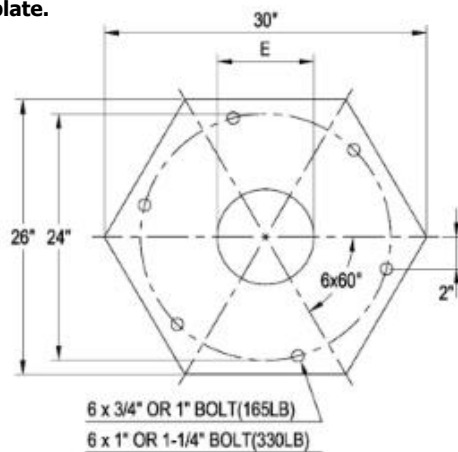
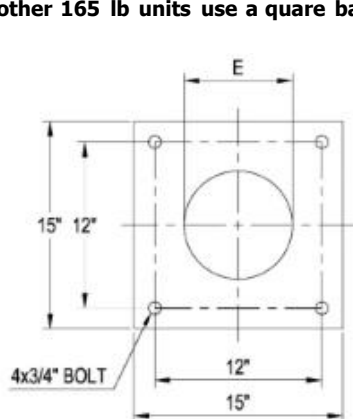
# Easy Arm<sup>®</sup> Q And iQ

FREE STANDING LIFTING DEVICE



## BASE PLATE DIMENSIONS

Please note : Hex baseplates are used on all 330 lb units, and on 165 lb units with a combined HUB plus span of 18' or more. All other 165 lb units use a quare baseplate.

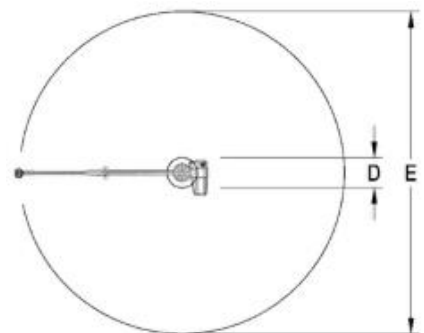


## HOOK COVERAGE

### Arm Rotation :

355° primary arm

355° secondary arm



$E = \text{Span} \times 2$

### 165 lb (75kg) UNIT

Span	6' (1829mm)	8' (2438mm)	10' (3048mm)	12' (3658mm)	14' (4267mm)	6' (1829mm)	8' (2438mm)	10' (3048mm)	12' (3658mm)	14' (4267mm)	6' (1829mm)	8' (2438mm)	10' (3048mm)	12' (3658mm)	14' (4267mm)
HUH	6' (1829)					8' (2438)					10' (3048)				
OAH	109.14" (2772)					133.14" (3382)					157.14" (3991)				
A	33.84" (860)	45.12" (1146)	56.40" (1433)	67.68" (1719)	78.96" (2006)	33.84" (860)	45.12" (1146)	56.40" (1433)	67.68" (1719)	78.96" (2006)	33.84" (860)	45.12" (1146)	56.40" (1433)	67.68" (1719)	78.96" (2006)
B	105.98" (2692)					129.98" (3301)					153.98" (3911)				
C	97.89" (2486)					121.89" (3096)					145.89" (3706)				
D	24.90" (632)	32.06" (814)	40.03" (1017)	48.00" (1219)	56" (1422)	24.90" (632)	32.06" (814)	40.03" (1017)	48.00" (1219)	56" (1422)	24.90" (632)	32.06" (814)	40.03" (1017)	48.00" (1219)	56" (1422)

### 330 lb (150kg) UNIT

Span	6' (1829mm)	8' (2438mm)	10' (3048mm)	12' (3658mm)	14' (4267mm)	6' (1829mm)	8' (2438mm)	10' (3048mm)	12' (3658mm)	14' (4267mm)	6' (1829mm)	8' (2438mm)	10' (3048mm)	12' (3658mm)	14' (4267mm)
HUH	6' (1829)					8' (2438)					10' (3048)				
OAH	109.88" (2791)					133.88" (3401)					157.88" (4010)				
A	33.84" (860)	45.12" (1146)	56.40" (1433)	67.68" (1719)	78.96" (2006)	33.84" (860)	45.12" (1146)	56.40" (1433)	67.68" (1719)	78.96" (2006)	33.84" (860)	45.12" (1146)	56.40" (1433)	67.68" (1719)	78.96" (2006)
B	106.86" (2714)					130.86" (3324)					154.86" (3933)				
C	97.77" (2483)					121.77" (3093)					145.77" (3703)				
D	24.34" (618)	32.26" (819)	42.70" (1085)	51.48" (1308)	59.76" (1518)	24.34" (618)	32.26" (819)	42.70" (1085)	51.48" (1308)	59.76" (1518)	24.34" (618)	32.26" (819)	42.70" (1085)	51.48" (1308)	59.76" (1518)

### 660 lb (300kg) UNIT

Span	8' (2438mm)	10' (3048mm)	12' (3658mm)	14' (4267mm)	8' (2438mm)	10' (3048mm)	12' (3658mm)	14' (4267mm)	8' (2438mm)	10' (3048mm)	12' (3658mm)	14' (4267mm)
HUH	6' (1829)				8' (2438)				10' (3048)			
OAH	122" (3099)				146" (3708)				170" (4318)			
A	45.12" (1146)	56.40" (1433)	67.68" (1719)	78.96" (2006)	45.12" (1146)	56.40" (1433)	67.68" (1719)	78.96" (2006)	45.12" (1146)	56.40" (1433)	67.68" (1719)	78.96" (2006)
B	114.22" (2901)				138.22" (3511)				162.22" (4120)			
C	94.39" (2398)	91.66" (2329)		118.39" (3007)		155.66" (2938)		142.39" (3617)	139.66" (3547)			
D	40.1" (1019)	50.1" (1273)	60.1" (1527)	70.1" (1781)	40.1" (1019)	50.1" (1273)	60.1" (1527)	70.1" (1781)	40.1" (1019)	50.1" (1273)	60.1" (1527)	70.1" (1781)

### TECHNICAL SPECIFICATIONS

Easy Arm®	Q	iQ	Q	iQ
Maximum Capacity (Load & Tool)	165 lb 75 kg		330 lb 150 kg	
Maximum Lifting Speed Unloaded	180 ft/min 55 m/min		90 ft/min 27 m/min	
Maximum Lifting Speed Fully Loaded	125 ft/min 38 m/min		75 ft/min 23 m/min	
Maximum Float Mode Lifting Speed	103 ft/min 31 m/min		65 ft/min 20 m/min	
Maximum Lift Range	11 ft 3.35 m		11 ft 3.35 m	