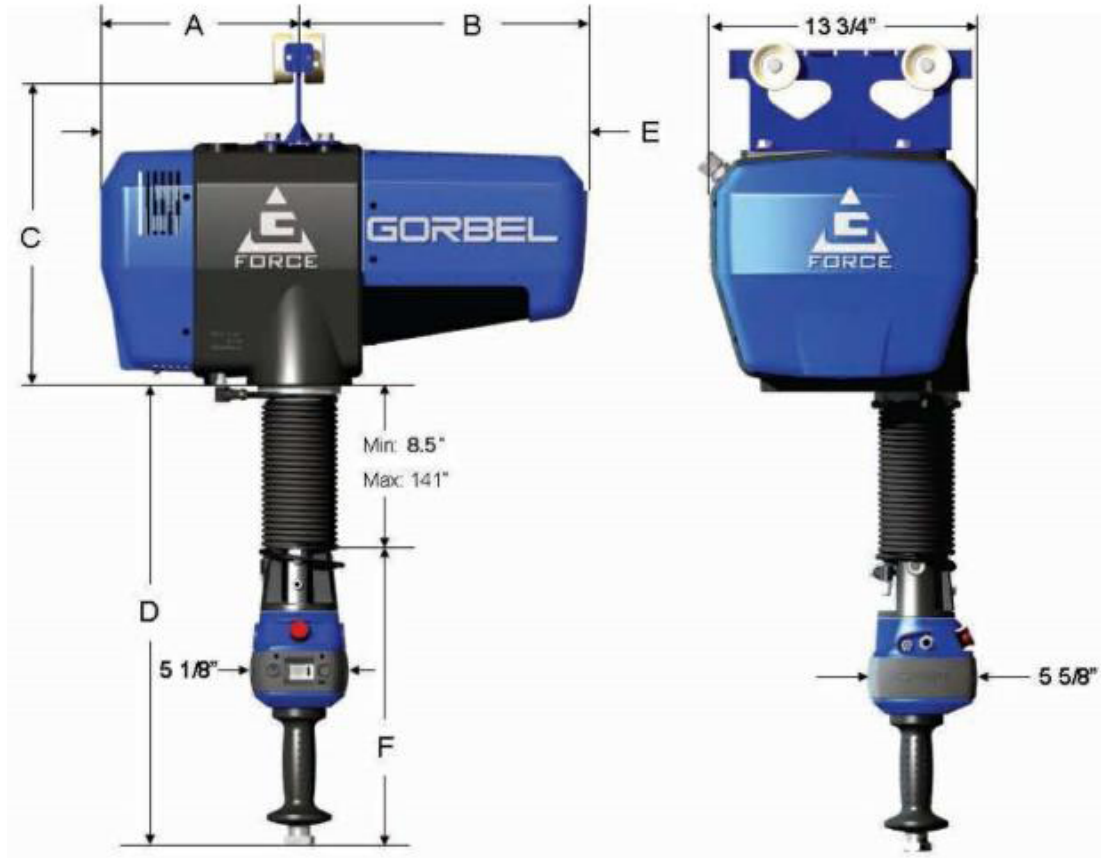


G-Force® Q And iQ

BRIDGE CRANE MOUNTED LIFTING DEVICE

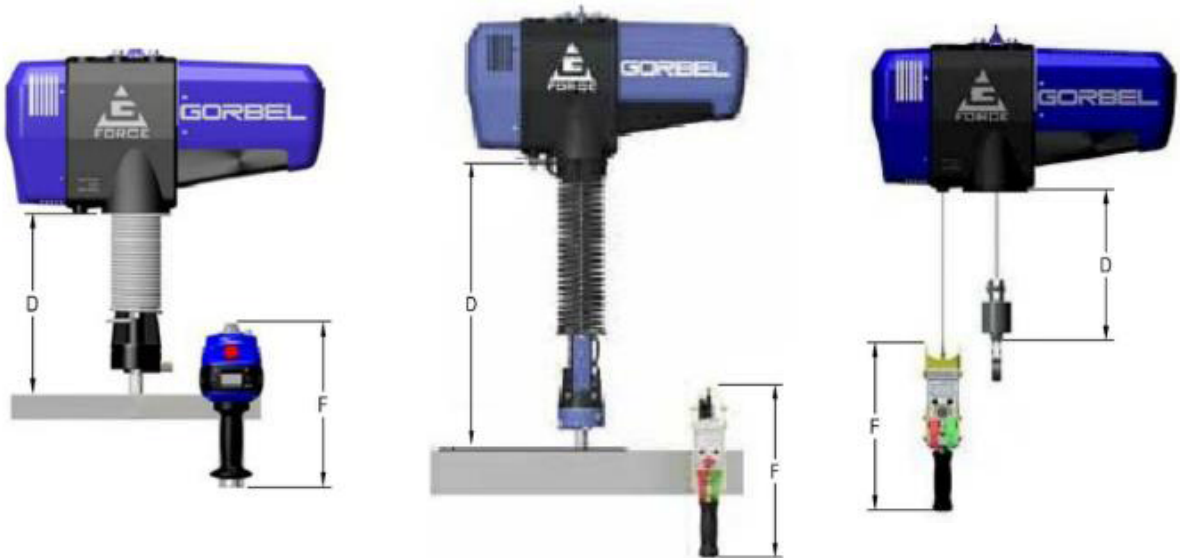


Capacity	165 lb (75kg)	330 lb (150kg)	660 lb (300kg)	1320 lb (600kg)
A	8.625" (219mm)	10.25" (260mm)	10.25" (260mm)	10.25" (260mm)
B	14.375" (365)	15" (381)	15" (381)	15" (381)
C	17" (432)	17" (432)	17" (432)	17" (432)
D	26" (660)	26" (660)	26" (660)	30.5" (775)
E	23" (584)	25.25" (641)	25.25" (641)	25.25" (641)
F	16" (406)	16" (406)	16" (406)	19.5" (495)

TECHNICAL SPECIFICATION

G-FORCE®	Q		iQ		Q		iQ	
	Q	iQ	Q	iQ	Q	iQ	Q	iQ
Maximum Capacity (Load & Tool)	165 lb		330 lb		660 lb		1320 lb	
	75 kg		150 kg		300 kg		600 kg	
Maximum Lifting Speed Unloaded	200 ft/min		100 ft/min		50 ft/min		25 ft/min	
	61 m/min		30 m/min		14.94 m/min		7.47 m/min	
Maximum Lifting Speed Fully Loaded	125 ft/min		75 ft/min		42 ft/min		21 ft/min	
	38 m/min		23 m/min		12.8 m/min		6.4 m/min	
Maximum Float Mode Lifting Speed	103 ft/min		65 ft/min		38 ft/min		19 ft/min	
	31 m/min		20 m/min		11.58 m/min		5.79 m/min	
Maximum Lift Range	11 ft		11 ft		11 ft		5.5 ft	
	3.35 m		3.35 m		3.35 m		1.68 m	

Handle Configuration Option



Dim	Remote Mount Slide	Remote Mount Pendant Control	Suspended Pendant Control
D	17.5" (445mm)	17.5" (445mm)	8.5" (216mm)
F	14.25" (362)	14" (356)	14" (356)

FORCE SENSING HANDLE



In-Line



Remote Mounted



Hub (FSH)