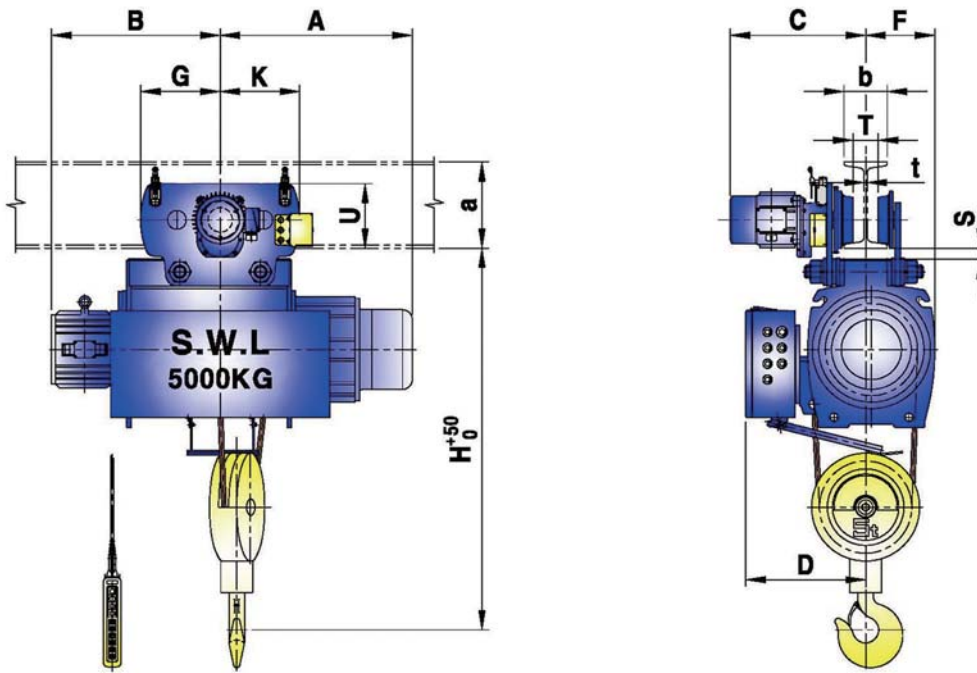


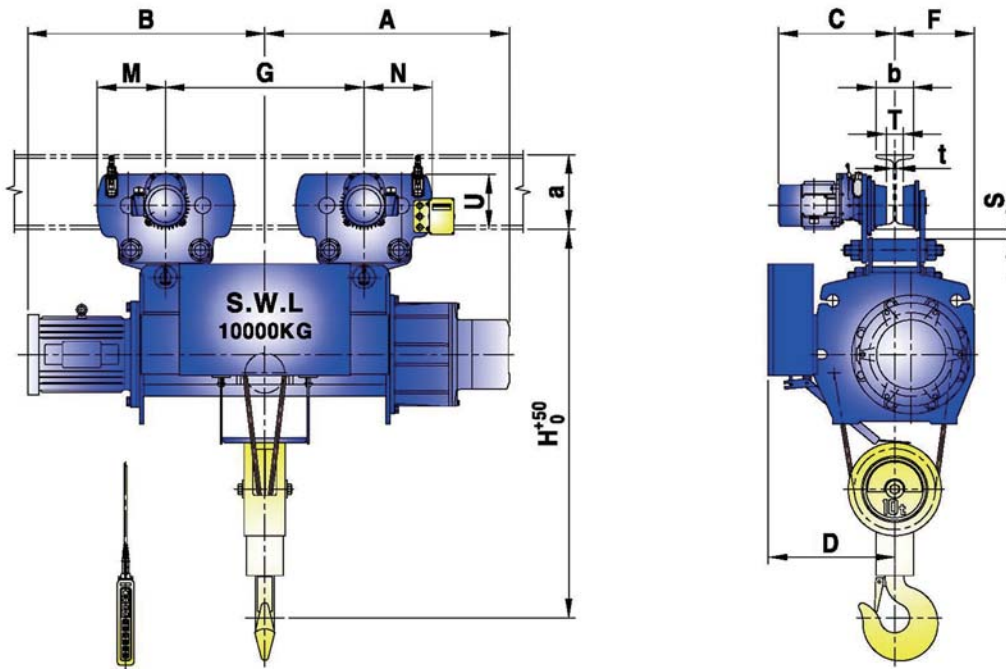
Mono-Rail Type Hoist with Motor Driven Trolley



Capacity (ton)		1	2	3	5																
Model No.		N01-N-H06	N02-N-H06	N03-N-H06	N05-N-H06																
Hoisting	Lift Height (m)	6 (12)	6 (12)	6 (12)	6 (12)																
	Speed (m/min)	High 50/60 (Hz)	10/12	8.4/10	7.5/9	4.7/5.6															
		Low 50/60 (Hz)	5/6	4.2/5	3.7/4.5	3.5/4.2															
	Motor (kWxP)	High	2.4x4	3.7x4	5.5x4	5.5x6															
		Low	1.2x8	1.8x8	2.8x8	4.2x8															
Wire Rope (∅xFalls)	Construction	6x37	6x37	6x37	6x37																
	Dia.(mm) x No. of ropes	8x2	10x2	12.5x2	16x2																
Brake		DC Magnet Disc Brake																			
Traversing	Speed (m/min)	High 50/60 (Hz)	20/24	20/24	20/24	20/24															
		Low 50/60 (Hz)	13/16	13/16	13/16	13/16															
	Motor (kWxP)	High	0.4x4	0.75x4	0.75x4	0.75x4															
		Low	0.2x6	0.5x6	0.5x6	0.5x6															
Dimension (approx.) (mm)	H	815	980	1115	1325																
	A	405 (505)	465 (565)	520 (620)	605 (705)																
	B	380 (480)	410 (510)	440 (540)	500 (585)																
	D	275	310	365	415																
	G	255	260	260	275																
	K	200	225	225	275																
I-beam and spacing (mm)	a x b x t	C	F	S	T	U	C	F	S	T	U	C	F	S	T	U	C	F	S	T	U
	200x100x7	385	170	38	46	144	-	-	-	-	-	-	-	-	-	-	-	-	-	-	-
	250x125x7.5	395	170	30	71	153	445	205	24	71	182	445	210	23	71	182	455	250	39	61	222
	300x150x10	410	170	28	96	155	460	205	24	96	182	460	210	23	96	182	465	250	37	86	224
450x175x13	-	-	-	-	-	-	-	-	-	-	-	-	-	-	-	480	250	34	111	228	
Min. Radius of Curvature (m)		1.5		1.8		1.8		2.3													
Weight (approx.) (kg)		190 (218)		278 (314)		374 (418)		577 (642)													

Note : 1) Figures in parentheses are for Hoists of 12-meter lift spacers. 2) Please make a contact about hoist with over 12m lift length. 3) Dimensions of i-beam in yellow sections are standard ones. Other I-beam size also can be used by changing spacers.

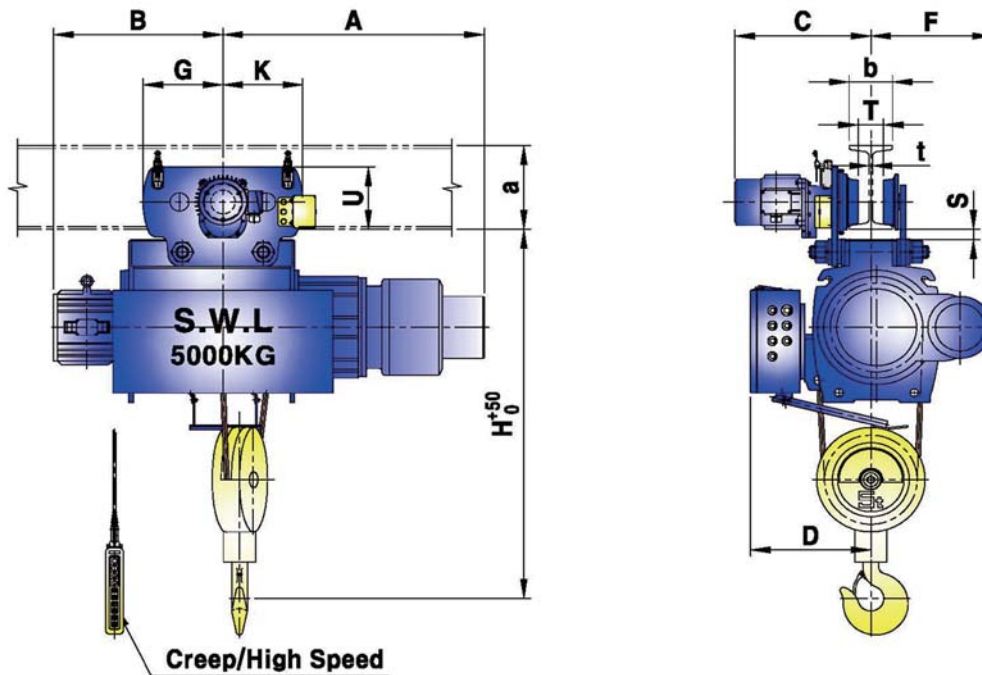
Mono-Rail Type Hoist with Motor Driven Trolley



Capacity (ton)		7.5	10	15	20																	
Model No.		N075-N-H12	N10-N-H12	N15-N-H12	N20-N-H12																	
Hoisting	Lift Height (m)	12	12	12	12																	
	Speed (m/min)	High 50/60 (Hz)	3.1/3.8	3.7/4.5	3.7/4.5	3.5/4.2																
		Low 50/60 (Hz)	2.3/2.8	2.5/3	2.5/3	2.3/2.8																
	Motor (kWxP)	High	5.5x6	9x8	13x8	17x8																
		Low	4.2x8	6x12	8.5x12	11.5x12																
Wire Rope (∅xFalls)	Construction	6x37	6x37	6x37	6x37																	
	Dia.(mm) x No. of ropes	14x4	16x4	20x4	22.4x4																	
Brake		DC Magnet Disc Brake																				
Traversing	Speed (m/min)	High 50/60 (Hz)	12.5/15	12.5/15	12.5/15	12.5/15																
		Low 50/60 (Hz)	8.3/10	8.3/10	8.3/10	8.3/10																
	Motor (kWxP)	High	0.75x4 (2unit)	0.75x4 (2unit)	1.5x4 (2unit)	1.5x4 (2unit)																
		Low	0.5x6 (2unit)	0.5x6 (2unit)	1x6 (2unit)	1x6 (2unit)																
Dimension (approx.) (mm)	H	1460	1520	1875	2115																	
	A	925	975	1075	1165																	
	B	835	955	1005	1220																	
	D	480	510	620	640																	
	G	800	800	800	850																	
	M	276	276	300	300																	
	N	276	276	300	300																	
I-beam and spacing (mm)	a x b x t	C	F	S	T	U	C	F	S	T	U	C	F	S	T	U	C	F	S	T	U	
	300x150x10	500	300	35	68	224	485	330	35	68	224	-	-	-	-	-	-	-	-	-	-	-
	450x175x13	510	300	30	93	228	490	330	30	93	228	580	370	32	77	248	580	400	32	77	248	
600x190x13	520	300	25	118	232	495	330	25	118	232	590	370	32	92	248	590	400	32	92	248		
Min. Radius of Curvature (m)		For straight rail only																				
Weight (approx.) (kg)		910					1210					2030					2430					

Note : 1) Please make a contact about hoist with over 12m lift length.
 2) Dimensions of i-beam in yellow sections are standard ones. Other I-beam size also can be used by changing spacers.

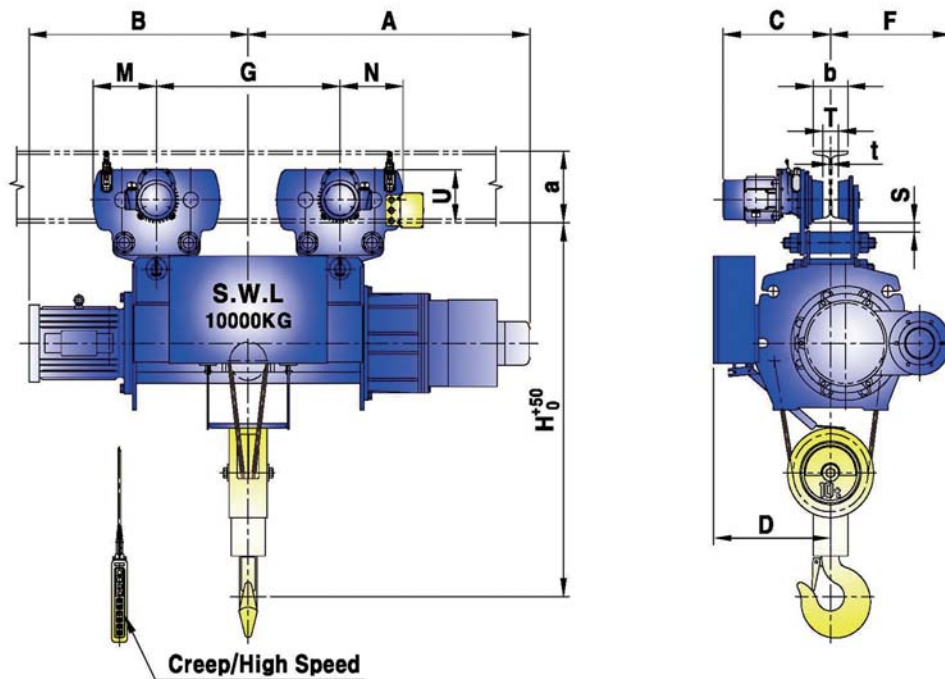
Mono-Rail Type Hoist with Motor Driven Trolley (Creep)



Capacity (ton)		1	2	3	5	
Model No.		N01-C-H06	N02-C-H06	N03-C-H06	N05-C-H06	
Hoisting	Lift Height (m)	6 (12)	6 (12)	6 (12)	6 (12)	
	Speed (m/min)	50 (Hz)	10/1	8.4/0.84	7.5/0.75	4.7/0.47
		60 (Hz)	12/1.2	10/1	9/0.9	5.6/0.56
	Motor (kWxP)	2.4/0.4x4	3.7/0.4x4	5.5/1.1x4	5.5/1x6	
	Wire Rope (∅xFalls)	Construction	6x37	6x37	6x37	6x37
Dia.(mm) x No. of ropes		8x2	10x2	12.5x2	16x2	
Brake		DC Magnet Disc Brake				
Traversing	Speed (m/min)	High 50/60 (Hz)	20/24	20/24	20/24	20/24
		Low 50/60 (Hz)	13/16	13/16	13/16	13/16
	Motor (kWxP)	High	0.4x4	0.75x4	0.75x4	0.75x4
		Low	0.2x6	0.5x6	0.5x6	0.5x6
Dimension (approx.) (mm)	H	815	980	1115	1325	
	A	580 (680)	620 (720)	740 (840)	840 (940)	
	B	380 (580)	410 (510)	440 (540)	500 (585)	
	D	275	310	365	415	
	F	330	370	375	430	
	G	255	260	260	275	
	K	200	225	225	275	
I-beam and spacing (mm)	a x b x t	C S T U	C S T U	C S T U	C S T U	
	200x100x7	395 38 46 144	- - - -	- - - -	- - - -	
	250x125x7.5	395 30 71 153	445 26 71 182	445 25 71 182	455 37 61 222	
	300x150x10	410 28 96 156	460 24 96 182	460 23 96 182	465 32 86 224	
450x175x13	- - - -	- - - -	- - - -	480 32 111 228		
Min. Radius of Curvature (m)		1.5	1.8	1.8	2.3	
Weight (approx.) (kg)		225 (245)	320 (355)	415 (460)	635 (700)	

Note : 1) Figures in parentheses are for Hoists of 12-meter lift spacers. 2) Please make a contact about hoist with over 12m lift length. 3) Dimensions of i-beam in yellow sections are standard ones. Other I-beam size also can be used by changing spacers.

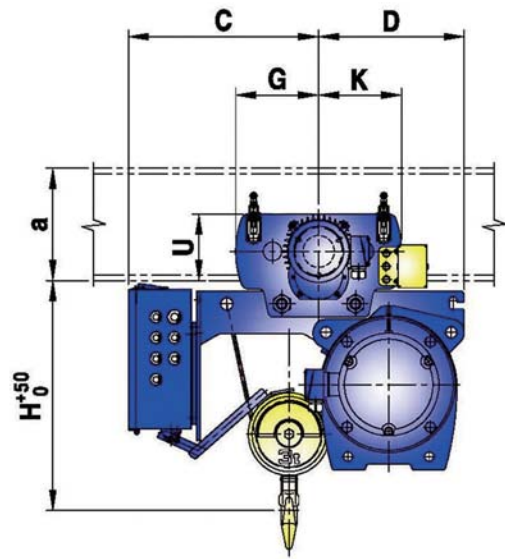
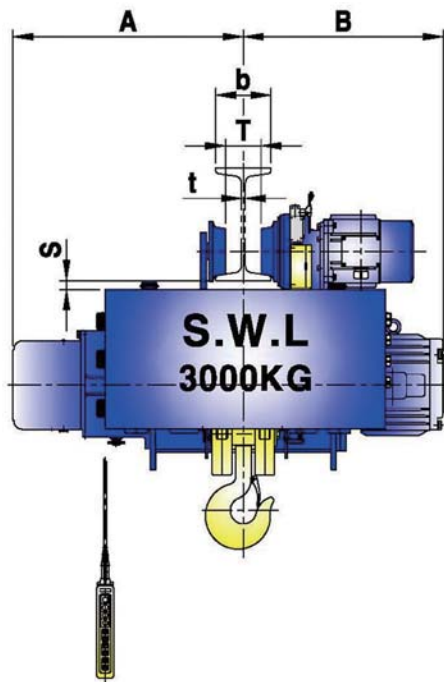
Mono-Rail Type Hoist with Motor Driven Trolley (Creep)



Capacity (ton)		7.5	10	15	20												
Model No.		N075-C-H12	N10-C-H12	N15-C-H12	N20-C-H12												
Hoisting	Lift Height (m)	12	12	12	12												
	Speed (m/min)	50 (Hz)	3.1/0.31	3.7/0.37	3.7/0.37	3.5/0.35											
		60 (Hz)	3.8/0.38	4.5/0.45	4.5/0.45	4.2/0.42											
	Motor (kWxP)	5.5/1x6	9/1.1x8	13/1.8x8	17/1.8x8												
	Wire Rope (∅x Falls)	Construction	6x37	6x37	6x37	6x37											
Dia.(mm) x No. of ropes		14x4	16x4	20x4	22.4x4												
Brake		DC Magnet Disc Brake															
Traversing	Speed (m/min)	High 50/60 (Hz)	12.5/15	12.5/15	12.5/15	12.5/15											
		Low 50/60 (Hz)	8.3/10	8.3/10	8.3/10	8.3/10											
	Motor (kWxP)	High	0.75x4 (2unit)	0.75x4 (2unit)	1.5x4 (2unit)	1.5x4 (2unit)											
		Low	0.5x6 (2unit)	0.5x6 (2unit)	1x6 (2unit)	1x6 (2unit)											
Dimension (approx.) (mm)	H	1460	1565	1875	2115												
	A	1170	1230	1365	1460												
	B	835	955	1005	1220												
	D	480	510	620	640												
	F	465	525	575	621												
	G	800	800	800	850												
	M	276	276	300	300												
	N	276	276	300	300												
I-beam and spacing (mm)	a x b x t	C	S	T	U	C	S	T	U	C	S	T	U	C	S	T	U
	300x150x10	500	35	68	224	475	35	68	224	-	-	-	-	-	-	-	-
	450x175x13	510	30	93	228	490	30	93	228	580	32	77	248	580	32	77	248
	600x190x13	520	32	118	227	495	32	118	227	587	37	92	243	587	37	92	243
Min. Radius of Curvature (m)	For straight rail only																
Weight (approx.) (kg)	970		1280		2180		2520										

Note : 1) Please make a contact about hoist with over 12m lift length.
2) Dimensions of i-beam in yellow sections are standard ones. Other I-beam size also can be used by changing spacers.

Low Head Type Hoist with Motor Driven Trolley

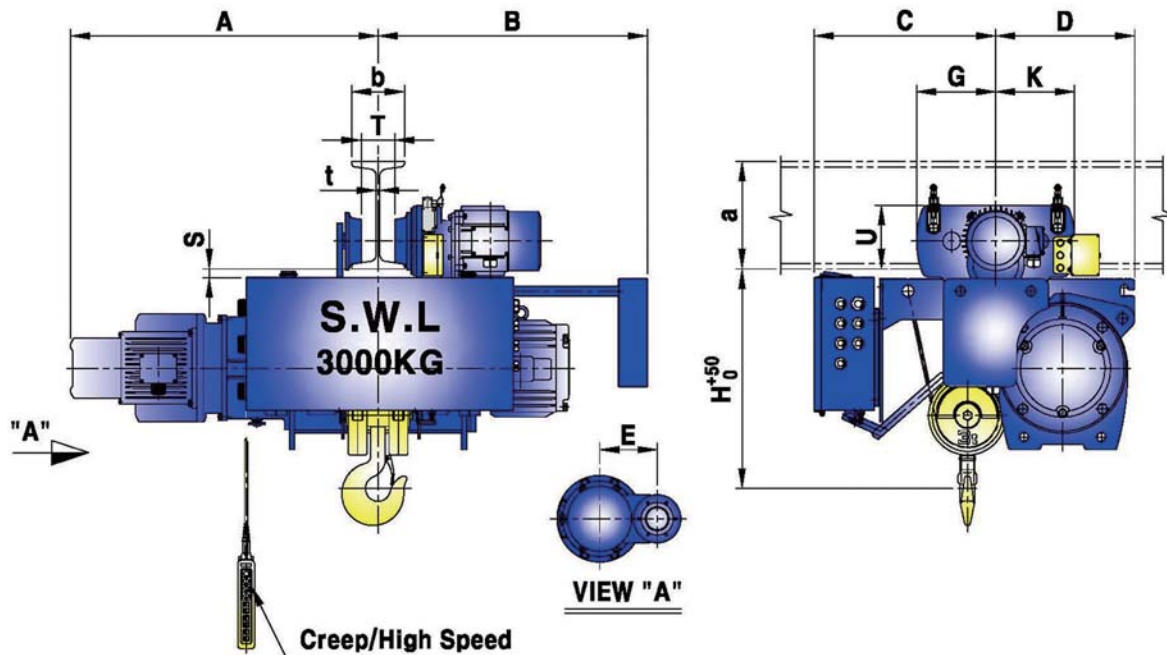


Capacity (ton)		1			2			3			5			7.5			
Model No.		NL01-N-H06			NL02-N-H06			NL03-N-H06			NL05-N-H06			NL075-N-H12			
Hoisting	Lift Height (m)	6			6			6			6			12			
	Speed (m/min)	High 50/60 (Hz)	10/12			8.4/10			7.5/9			4.7/5.6			3.1/3.8		
		Low 50/60 (Hz)	5/6			4.2/5			3.7/4.5			3.5/4.2			2.3/2.8		
	Motor (kWxP)	High	2.4x4			3.7x4			5.5x4			5.5x6			5.5x6		
		Low	1.2x8			1.8x8			2.8x8			4.2x8			4.2x8		
	Wire Rope (∅x Falls)	Construction	6x19			6x37			6x37			6x37			6x37		
Dia.(mm) x No. of ropes		6x4			8x4			9x4			11.2x4			14x4			
Brake		DC Magnet Disc Brake															
Traversing	Speed (m/min)	High 50/60 (Hz)	20/24			20/24			20/24			20/24			12.5/15		
		Low 50/60 (Hz)	13/16			13/16			13/16			13/16			8.3/10		
	Motor (kWxP)	High	0.4x4			0.75x4			0.75x4			0.75x4			0.75x4		
		Low	0.2x6			0.5x6			0.5x6			0.5x6			0.5x6		
Dimension (approx.) (mm)	H	550			620			620			800			1000			
	A	505			590			620			705			790			
	B	480			510			540			585			705			
	C	405			435			510			585			730			
	D	290			385			395			465			560			
	G	255			260			260			275			300			
	K	200			225			225			275			300			
I-beam and spacing (mm)	a x b x t	S	T	U	S	T	U	S	T	U	S	T	U	S	T	U	
	200x100x7	38	46	144	-	-	-	-	-	-	-	-	-	-	-	-	
	250x125x7.5	30	71	153	22	71	182	23	71	182	-	-	-	-	-	-	
	300x150x10	30	71	155	22	96	182	23	96	182	26	86	224	30	52	246	
450x175x13	-	-	-	-	-	-	-	-	-	23	111	228	32	77	248		
Min. Radius of Curvature (m)		1.5			1.8			1.8			2.3			-			
Weight (approx.) (kg)		200			350			440			730			1300			

Note : 1) Please make a contact about hoist with over 12m lift length.

2) Dimensions of i-beam in yellow sections are standard ones. Other I-beam size also can be used by changing spacers.

Low Head Type Hoist with Motor Driven Trolley (Creep)



Capacity (ton)		1			2			3			5			7.5			
Model No.		NL01-C-H06			NL02-C-H06			NL03-C-H06			NL05-C-H06			NL075-C-H12			
Hoisting	Lift Height (m)	6			6			6			6			12			
	Speed (m/min)	50 (Hz)	10/1			8.4/0.84			7.5/0.75			4.7/0.47			3.1/0.31		
		60 (Hz)	12/1.2			10/1			9/0.9			5.6/0.56			3.8/0.38		
	Motor (kWxP)	2.4/0.4x4			3.7/0.4x4			5.5/1.1x4			5.5/1x6			5.5/1x6			
	Wire Rope (∅xFalls)	Construction	6x19			6x37			6x37			6x37			6x37		
Dia.(mm) x No. of ropes		6x4			8x4			9x4			11.2x4			14x4			
Brake		DC Magnet Disc Brake															
Traversing	Speed (m/min)	High 50/60 (Hz)	20/24			20/24			20/24			20/24			12.5/15		
		Low 50/60 (Hz)	13/16			13/16			13/16			13/16			8.3/10		
	Motor (kWxP)	High	0.4x4			0.75x4			0.75x4			0.75x4			0.75x4		
		Low	0.2x6			0.5x6			0.5x6			0.5x6			0.5x6		
Dimension (approx.) (mm)	H	550			620			620			800			1100			
	A	680			740			840			940			1080			
	B	510			765			765			820			820			
	C	450			450			510			585			715			
	D	290			385			565			635			620			
	G	225			260			260			275			350			
	K	200			225			225			275			350			
	E	330			375			375			425			425			
I-beam and spacing (mm)	a x b x t	S	T	U	S	T	U	S	T	U	S	T	U	S	T	U	
	200x100x7	38	46	144	-	-	-	-	-	-	-	-	-	-	-	-	
	250x125x7.5	30	71	153	22	71	182	23	71	182	-	-	-	-	-	-	
	300x150x10	30	96	155	22	96	182	23	96	182	26	86	224	30	52	246	
450x175x13	-	-	-	-	-	-	-	-	-	23	111	228	32	77	248		
Min. Radius of Curvature (m)		1.5			1.8			1.8			2.3			-			
Weight (approx.) (kg)		275			440			530			730			1300			

Note : 1) Please make a contact about hoist with over 12m lift length.

2) Dimensions of i-beam in yellow sections are standard ones. Other I-beam size also can be used by changing spacers.