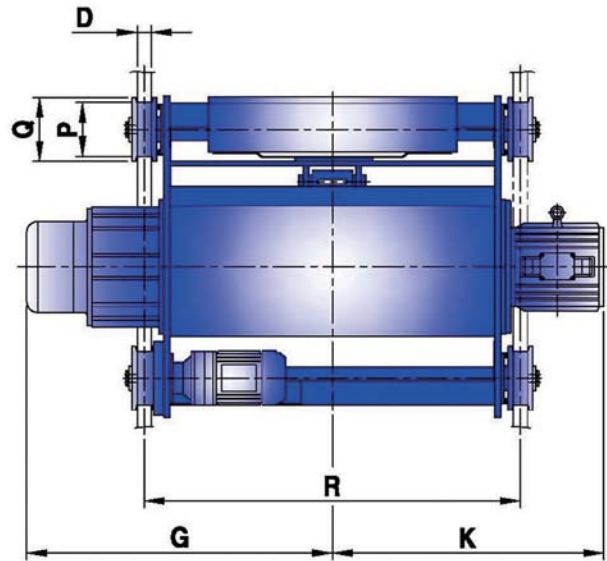
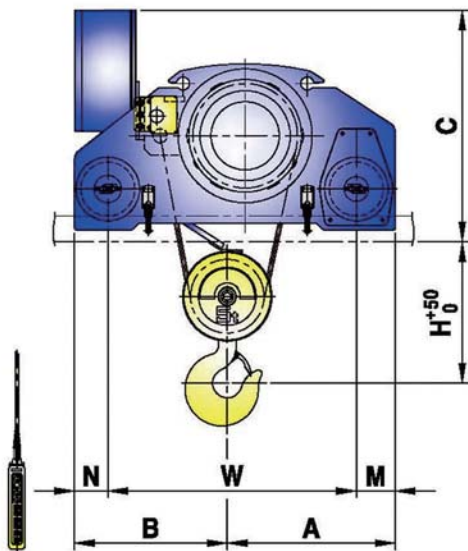


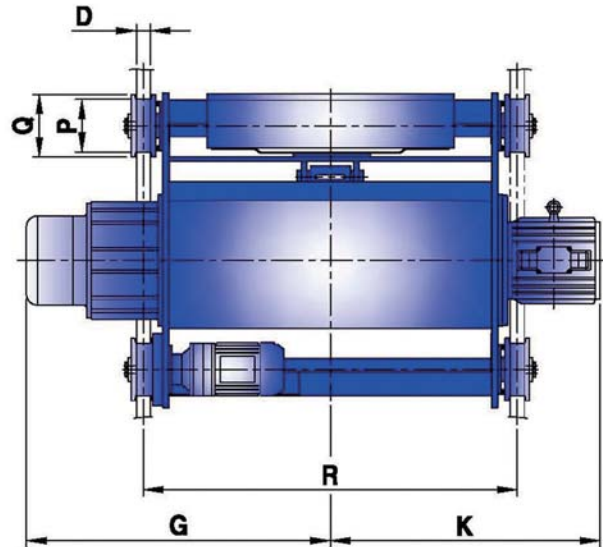
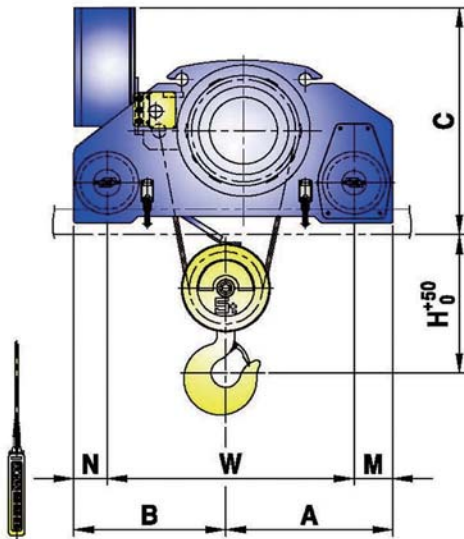
Double Rail Type Hoist with Motor Driven Trolley



Capacity (ton)		2	3	5	7.5	
Model No.		D02-N-H12	D03-N-H12	D05-N-H12	D075-N-H12	
Hoisting	Lift Height (m)	12	12	12	12	
	Speed (m/min)	High 50/60 (Hz)	8.4/10	7.5/9	4.7/5.6	3.1/3.8
		Low 50/60 (Hz)	4.2/5	3.7/4.5	3.5/4.2	2.3/2.8
	Motor (kWxP)	High	3.7x4	5.5x4	5.5x6	5.5x6
		Low	1.8x8	2.8x8	4.2x8	4.2x8
Wire Rope (∅xFalls)	Construction	6x37	6x37	6x37	6x37	
	Dia.(mm) x No. of ropes	8x4	9x4	12.5x4	14x4	
Brake		DC Magnet Disc Brake				
Traversing	Speed (m/min)	High 50/60 (Hz)	20/24	20/24	20/24	12.5/15
		Low 50/60 (Hz)	13/16	13/16	13/16	8.3/10
	Motor (kWxP)	High	0.75x4	0.75x4	0.75x4	0.75x4
		Low	0.5x6	0.5x6	0.5x6	0.5x6
Dimension (approx.) (mm)	H	415	420	510	730	
	R	950	950	1150	1150	
	A	465	465	510	535	
	B	390	390	470	480	
	C	500	600	550	645	
	G	740	785	935	925	
	K	690	705	830	835	
	W	650	650	760	800	
	D	47	47	58	58	
	M	115	115	125	120	
	N	90	90	110	95	
	P	140	140	165	165	
	Q	170	170	190	195	
Weight (approx.) (kg)		450	550	850	900	
Rail (kg/m)		15	15	15	15	

Note : 1) Please make a contact about hoist with over 12m lift length.

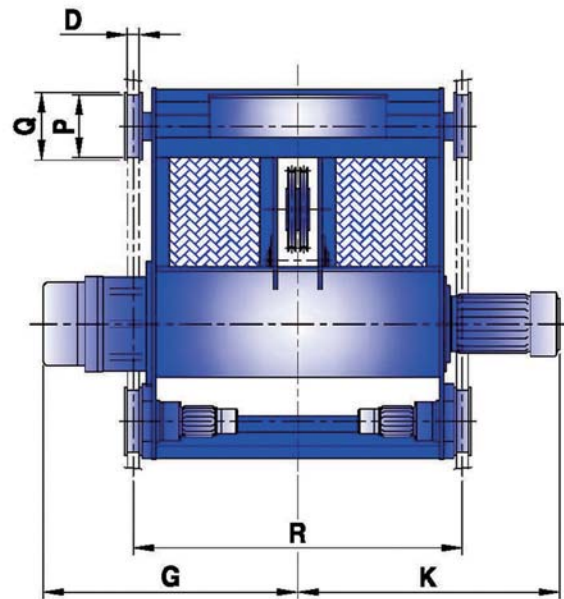
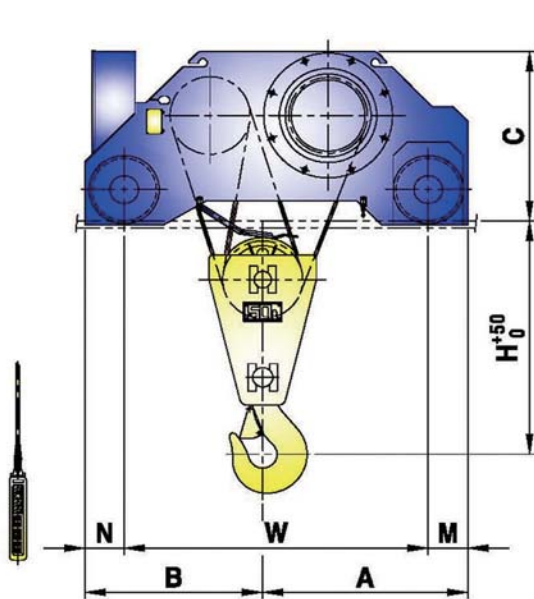
Double Rail Type Hoist with Motor Driven Trolley



Capacity (ton)		10	15	20	30	
Model No.		D10-N-H12	D15-N-H12	D20-N-H12	D30-N-H12	
Hoisting	Lift Height (m)	12	12	12	12	
	Speed (m/min)	High 50/60 (Hz)	3.7/4.5	3.7/4.5	3.5/4.2	2.3/2.8
		Low 50/60 (Hz)	2.5/3	2.5/3	2.3/2.8	1.5/1.8
	Motor (kWxP)	High	9x8	13x8	17x8	17x8
		Low	6x12	8.5x12	11.5x12	11.5x12
Wire Rope (∅xFalls)	Construction	6x37	6x37	6x37	6x37	
	Dia.(mm) x No. of ropes	16x4	20x4	22.4x4	22.4x6	
Brake		DC Magnet Disc Brake				
Traversing	Speed (m/min)	High 50/60 (Hz)	12.5/15	12.5/15	12.5/15	12.5/15
		Low 50/60 (Hz)	8.3/10	8.3/10	8.3/10	8.3/10
	Motor (kWxP)	High	0.75x4	1.5x4	1.5x4	1.5x4 (2unit)
		Low	0.5x6	1x6	1x6	1x6 (2unit)
Dimension (approx.) (mm)	H	775	995	1175	1480	
	R	1150	1200	1300	1800	
	A	565	625	670	940	
	B	510	555	610	940	
	C	695	860	900	980	
	G	975	1075	1165	1425	
	K	955	1005	1220	1480	
	W	865	920	1000	1540	
	D	58	58	58	70	
	M	120	130	140	180	
	N	100	130	140	160	
	P	165	180	220	250	
	Q	195	210	250	280	
Weight (approx.) (kg)		1200	1820	2300	3450	
Rail (kg/m)		15	22	22	30	

Note : 1) Please make a contact about hoist with over 12m lift length.

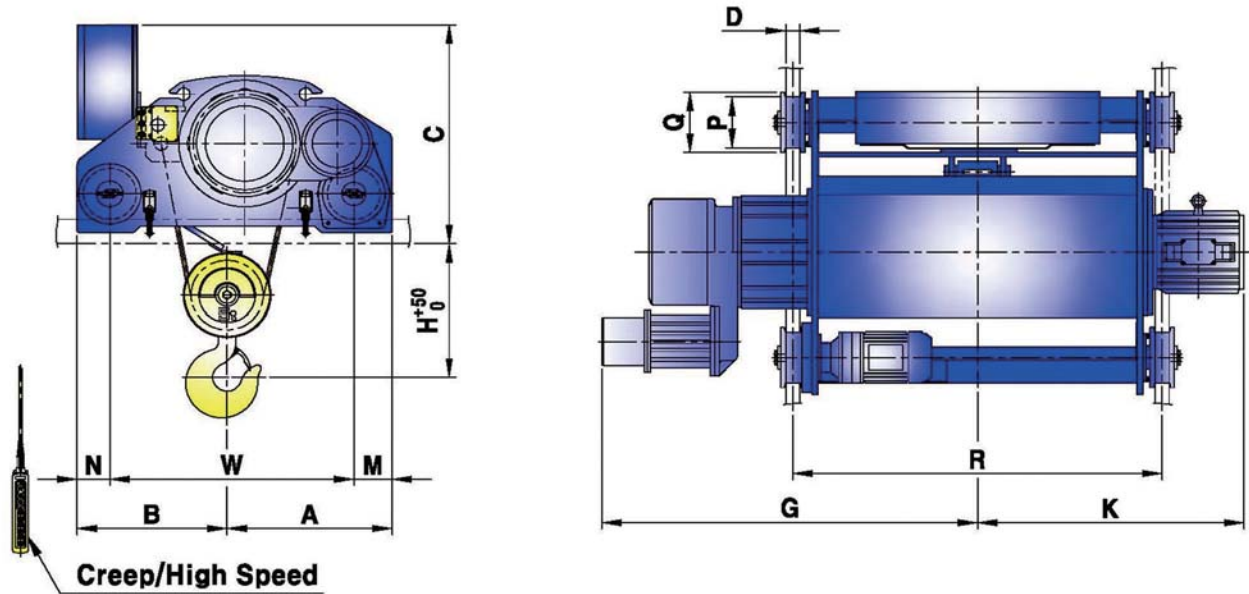
Double Rail Type Hoist with Motor Driven Trolley



Capacity (ton)		35	40	50	60	70	
Model No.		D35-N-H12	D40-N-H12	D50-N-H12	D60-N-H12	D70-N-H12	
Hoisting	Lift Height (m)	12	12	12	12	12	
	Speed (m/min)	50 (Hz)	4	3.5	2.7	2	2
		60 (Hz)	4.8	4.2	3.2	2.4	2.4
	Motor (kWxP)	33x6	33x6	33x6	33x6	33x6	
	Wire Rope (∅xFalls)	Construction	6xFI(25)	6xFI(25)	6xFI(25)	6xFI(25)	6xFI(25)
Dia.(mm) x No. of ropes		28x4	28x4	28x6	28x8	28x8	
Brake		DC Magnet Disc Brake					
Traversing	Speed (m/min)	High 50/60 (Hz)	12.5/15	12.5/15	12.5/15	12.5/15	
		Low 50/60 (Hz)	8.3/10	8.3/10	8.3/10	8.3/10	
	Motor (kWxP)	High	2.2x4	2.2x4	2.2x4 (2unit)	2.2x4 (2unit)	3.7x4 (2unit)
		Low	1.5x6	1.5x6	1.5x6 (2unit)	1.5x6 (2unit)	2.2x6 (2unit)
Dimension (approx.) (mm)	H	1490	1490	1680	1780	1780	
	R	1600	1600	2300	2800	2800	
	A	1025	1025	1432	1525	1525	
	B	955	955	1243	1150	1150	
	C	1013	1013	1220	1220	1220	
	G	1455	1455	1780	2030	2030	
	K	1360	1360	1715	1965	1965	
	W	1550	1550	2115	2125	2125	
	D	70	70	80	80	80	
	M	215	215	275	275	300	
	N	215	215	275	275	300	
	P	355	355	450	450	500	
	Q	395	395	490	490	540	
Weight (approx.) (kg)		5200	5200	7000	8500	9000	
Rail (kg/m)		37	37	50	73	73	

Note : 1) Please make a contact about hoist with over 12m lift length.

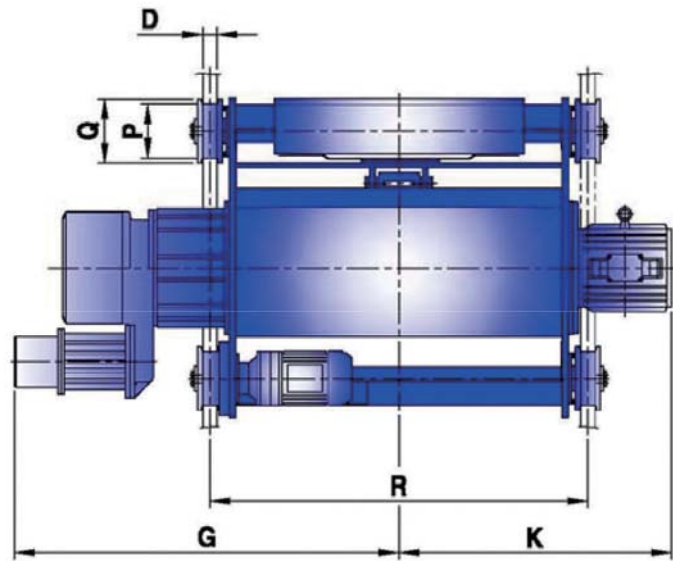
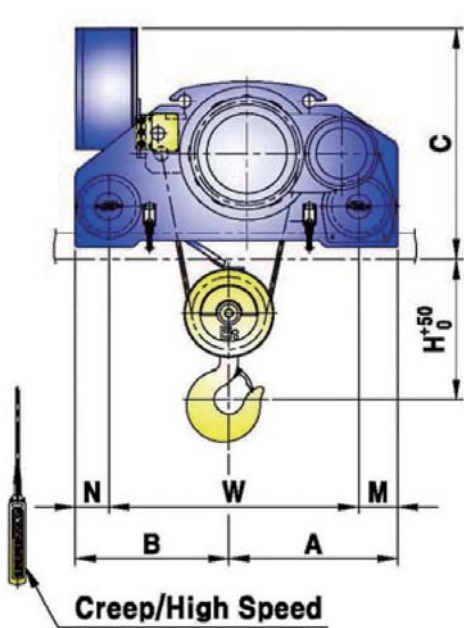
Double Rail Type Hoist with Motor Driven Trolley (Creep)



Capacity (ton)		2	3	5	7.5	
Model No.		D02-C-H12	D03-C-H12	D05-C-H12	D075-C-H12	
Hoisting	Lift Height (m)	12	12	12	12	
	Speed (m/min)	50(Hz)	8.4/0.84	7.5/0.75	4.7/0.47	3.1/0.31
		60 (Hz)	10/1	9/0.9	5.6/0.56	3.8/0.38
	Motor (kWxP)	3.7/0.4x4	5.5/1.1x4	5.5/1.1x6	5.5/1.1x6	
	Wire Rope (∅xFalls)	Construction	6x37	6x37	6x37	6x37
Dia.(mm) x No. of ropes		8x4	9x4	12.5x4	14x4	
Brake		DC Magnet Disc Brake				
Traversing	Speed (m/min)	High 50/60 (Hz)	20/24	20/24	20/24	12.5/15
		Low 50/60 (Hz)	13/16	13/16	13/16	8.3/10
	Motor (kWxP)	High	0.75x4	0.75x4	0.75x4	0.75x4
		Low	0.5x6	0.5x6	0.5x6	0.5x6
Dimension (approx.) (mm)	H	415	950	510	730	
	R	950	465	1150	1150	
	A	465	390	510	525	
	B	390	600	470	480	
	C	500	860	550	550	
	G	905	1020	1170	1170	
	K	609	705	830	835	
	W	650	650	760	800	
	D	47	47	58	58	
	M	115	115	125	120	
	N	90	90	110	95	
	P	140	140	165	165	
Q	170	170	195	195		
Weight (approx.) (kg)		490	590	900	955	
Rail (kg/m)		15	15	15	15	

Note : 1) Please make a contact about hoist with over 12m lift length.

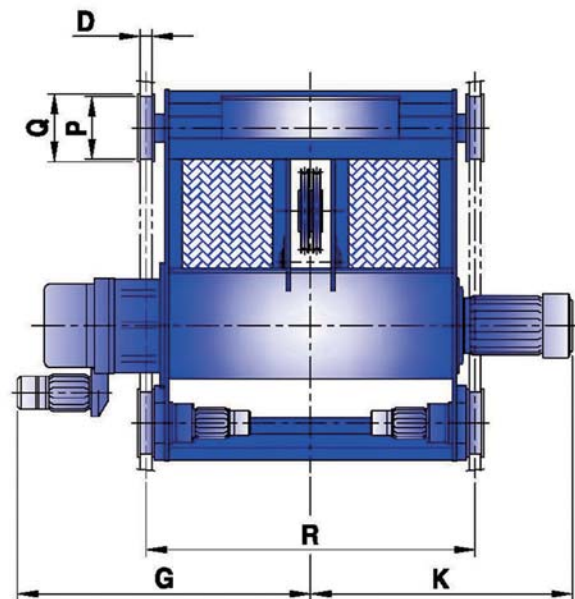
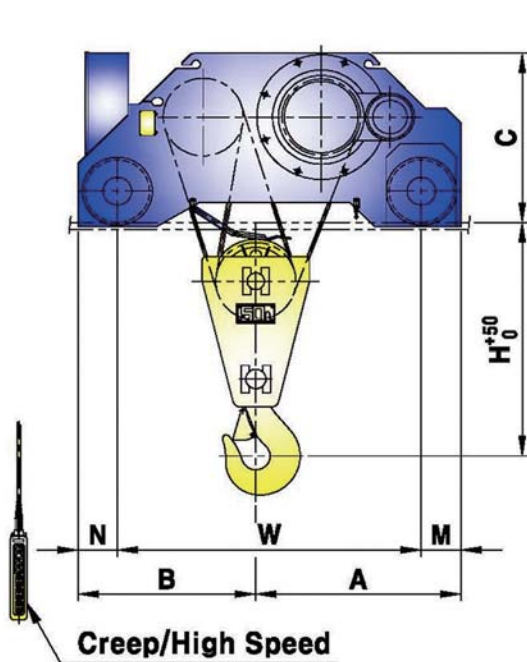
Double Rail Type Hoist with Motor Driven Trolley (Creep)



Capacity (ton)		10	15	20	30	
Model No.		D10-C-H12	D15-C-H12	D20-C-H12	D30-C-H12	
Hoisting	Lift Height (m)	12	12	12	12	
	Speed (m/min)	50 (Hz)	3.7/0.37	3.7/0.37	3.5/0.35	2.3/0.23
		60 (Hz)	4.5/0.45	4.5/0.45	4.2/0.42	2.8/0.28
	Motor (kWxP)	9/1.1x8	13/1.8x8	17/1.8x8	17/1.8x8	
	Wire Rope (∅xFalls)	Construction	6x37	6x37	6x37	6x37
Dia.(mm) x No. of ropes		16x4	20x4	22.4x4	22.4x6	
Brake		DC Magnet Disc Brake				
Traversing	Speed (m/min)	High 50/60 (Hz)	12.5/15	12.5/15	12.5/15	12.5/15
		Low 50/60 (Hz)	8.3/10	8.3/10	8.3/10	8.3/10
	Motor (kWxP)	High	0.75x4	1.5x4	1.5x4	1.5x4 (2unit)
		Low	0.5x6	1.0x6	1.0x6	1.0x6 (2unit)
Dimension (approx.) (mm)	H	775	995	1175	1480	
	R	1150	1200	1300	1800	
	A	565	625	670	940	
	B	510	555	610	940	
	C	695	860	900	980	
	G	1230	1365	1460	1720	
	K	955	1005	1220	1480	
	W	865	920	1000	1540	
	D	58	58	58	70	
	M	120	130	140	180	
	N	100	130	140	180	
	P	165	180	220	250	
Q	195	210	250	280		
Weight (approx.) (kg)		1265	1920	2385	3536	
Rail (kg/m)		15	22	22	30	

Note : 1) Please make a contact about hoist with over 12m lift length.

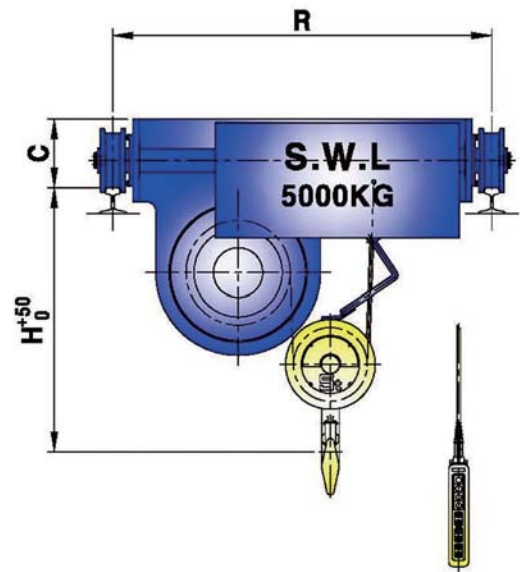
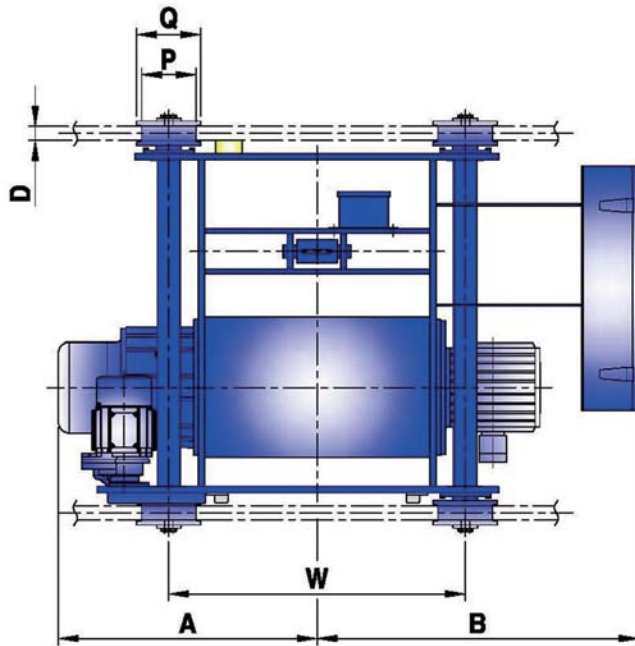
Double Rail Type Hoist with Motor Driven Trolley (Creep)



Capacity (ton)		35	40	50	60	70	
Model No.		D35-C-H12	D40-C-H12	D50-C-H12	D60-C-H12	D70-C-H12	
Hoisting	Lift Height (m)	12	12	12	12	12	
	Speed (m/min)	50 (Hz)	4/0.4	3.5/0.35	2.7/0.27	2/0.2	2/0.2
		60 (Hz)	4.8/0.48	4.2/0.42	3.2/0.32	2.4/0.24	2.4/0.24
	Motor (kWxP)	33/3.7x6/4	33/3.7x6/4	33/3.7x6/4	33/3.7x6/4	33/3.7x6/4	
	Wire Rope (∅xFalls)	Construction	6xFI(25)	6xFI(25)	6xFI(25)	6xFI(25)	6xFI(25)
Dia.(mm) x No. of ropes		28x4	28x4	28x6	28x8	28x8	
Brake		DC Magnet Disc Brake					
Traversing	Speed (m/min)	High 50/60 (Hz)	12.5/15	12.5/15	12.5/15	12.5/15	12.5/15
		Low 50/60 (Hz)	8.3/10	8.3/10	8.3/10	8.3/10	8.3/10
	Motor (kWxP)	High	2.2x4	2.2x4	2.2x4 (2unit)	2.2x4 (2unit)	3.7x4 (2unit)
		Low	1.5x6	1.5x6	1.5x6 (2unit)	1.5x6 (2unit)	2.2x6 (2unit)
Dimension (approx.) (mm)	H	1490	1490	1680	1780	1780	
	R	1600	1600	2300	2800	2800	
	A	1025	1025	1432	1525	1525	
	B	955	955	1243	1150	1150	
	C	1013	1013	1220	1220	1220	
	G	1735	1735	2060	2310	2310	
	K	1360	1360	1715	1965	1965	
	W	1550	1550	2125	2125	2125	
	D	70	70	80	80	80	
	M	215	215	275	275	300	
	N	215	215	275	275	300	
P	355	355	450	450	500		
Q	355	355	490	490	540		
Weight (approx.) (kg)		5400	5400	7200	9050	9200	
Rail (kg/m)		37	37	50	73	73	

Note : 1) Please make a contact about hoist with over 12m lift length.

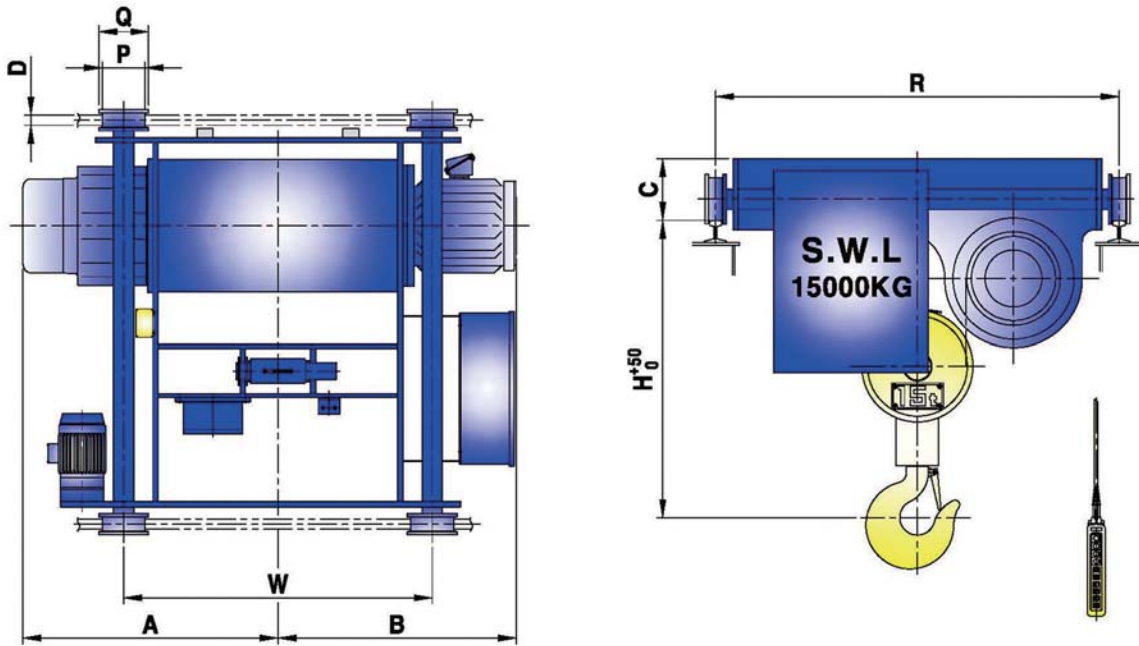
Double Low Head Type Hoist with Motor Driven Trolley



Capacity (ton)		2	3	5	7.5	
Model No.		DL02-N-H06	DL03-N-H06	DL05-N-H06	DL075-N-H12	
Hoisting	Lift Height (m)	6	6	6	12	
	Speed (m/min)	High 50/60 (Hz)	8.4/10	7.5/9	4.7/5.6	3.1/3.8
		Low 50/60 (Hz)	4.2/5	3.7/4.5	3.5/4.2	2.3/2.8
	Motor (kWxP)	High	3.7x4	5.5x4	5.5x6	5.5x6
		Low	1.8x8	2.8x8	4.2x8	4.2x8
Wire Rope (∅xFalls)	Construction	6x37	6x37	6x37	6x37	
	Dia.(mm) x No. of ropes	8x4	9x4	11.2x4	14x4	
Brake		DC Magnet Disc Brake				
Traversing	Speed (m/min)	High 50/60 (Hz)	20/24	20/24	20/24	12.5/15
		Low 50/60 (Hz)	13/16	13/16	13/16	8.3/10
	Motor (kWxP)	High	0.75x4	0.75x4	0.75x4	0.75x4
		Low	0.5x6	0.5x6	0.5x6	0.5x6
Dimension (approx.) (mm)	H	400	495	525	950	
	R	950	950	1150	1400	
	A	582	652	730	925	
	B	532	550	620	870	
	C	200	170	200	200	
	W	750	650	772	1250	
	D	47	47	58	58	
	P	140	140	165	165	
Q	170	170	195	195		
Weight (approx.) (kg)		410	500	800	850	
Rail (kg/m)		15	15	15	15	

Note : 1) Please make a contact about hoist with over 12m lift length.

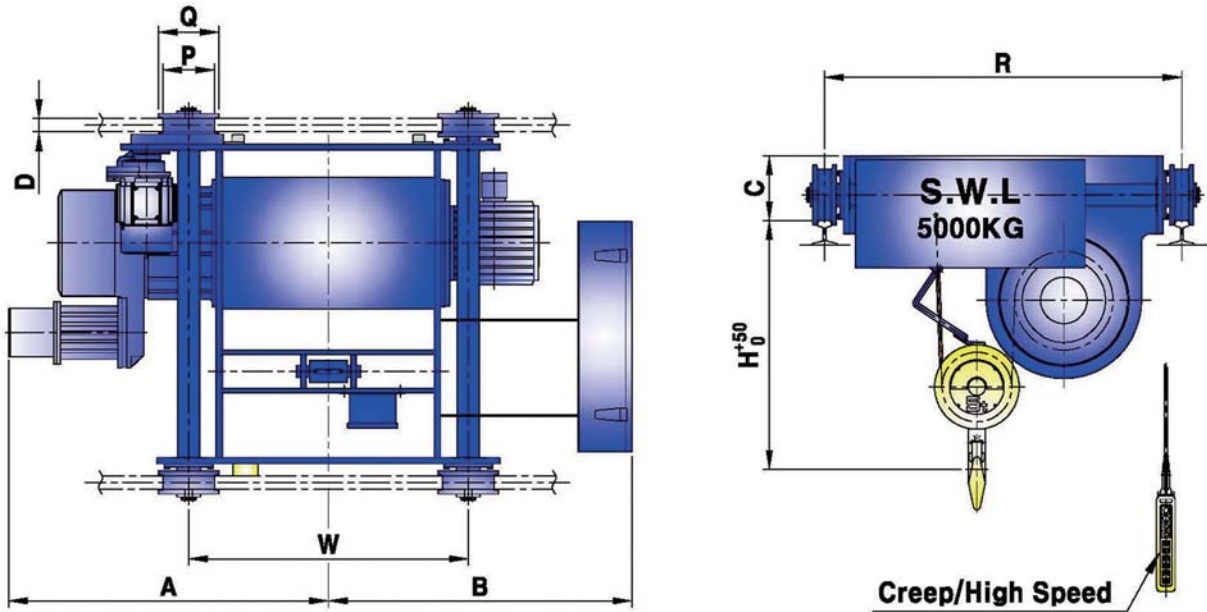
Double Low Head Type Hoist with Motor Driven Trolley



Capacity (ton)		10	15	20	
Model No.		DL10-N-H12	DL15-N-H12	DL20-N-H12	
Hoisting	Lift Height (m)	12	12	12	
	Speed (m/min)	High 50/60 (Hz)	3.7/4.5	3.7/4.5	3.5/4.2
		Low 50/60 (Hz)	2.5/3	2.5/3	2.3/2.8
	Motor (kWxP)	High	9x8	13x8	17x8
		Low	6x12	8.5x12	11.5x12
Wire Rope (∅xFalls)	Construction	6x37	6x37	6x37	
	Dia.(mm) x No. of ropes	16x4	20x4	22.4x4	
Brake		DC Magnet Disc Brake			
Traversing	Speed (m/min)	High 50/60 (Hz)	12.5/15	12.5/15	
		Low 50/60 (Hz)	8.3/10	8.3/10	
	Motor (kWxP)	High	0.75x4	1.5x4	1.5x4
		Low	0.5x6	1x6	1x6
Dimension (approx.) (mm)	H	920	1250	1450	
	R	1300	1700	1800	
	A	978	965	1165	
	B	955	1009	1210	
	C	240	260	320	
	W	1250	1300	1400	
	D	58	58	58	
	Q	165	180	220	
Weight (approx.) (kg)		1250	1850	2550	
Rail (kg/m)		15	22	22	

Note : 1) Please make a contact about hoist with over 12m lift length.

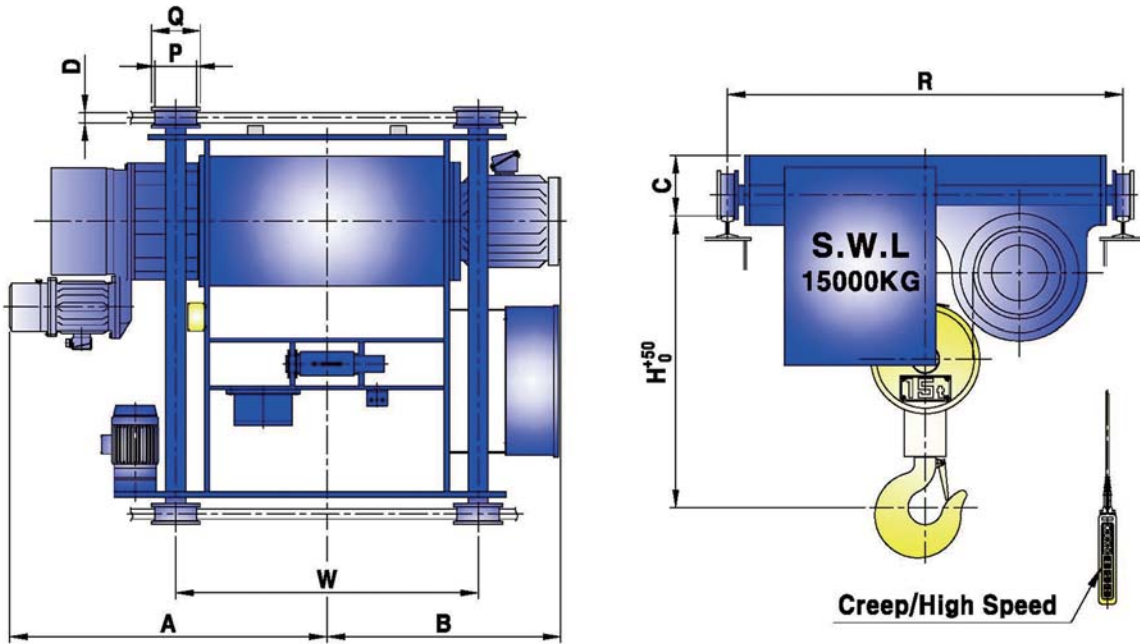
Double Low Head Type Hoist with Motor Driven Trolley (Creep)



Capacity (ton)		2	3	5	7.5	
Model No.		DL02-C-H06	DL03-C-H06	DL05-C-H06	DL075-C-H12	
Hoisting	Lift Height (m)	6	6	6	12	
	Speed (m/min)	50 (Hz)	8.4/0.84	7.5/0.75	4.7/0.47	3.1/0.31
		60 (Hz)	10/1	9/0.9	5.6/0.56	3.8/0.38
	Motor (kWxP)	3.7/0.4x4	5.5/1.1x4	5.5/1x6	5.5/1x6	
	Wire Rope (∅xFalls)	Construction	6x37	6x37	6x37	6x37
Dia.(mm) x No. of ropes		8x4	9x4	11.2x4	14x4	
Brake		DC Magnet Disc Brake				
Traversing	Speed (m/min)	High 50/60 (Hz)	20/24	20/24	20/24	12.5/15
		Low 50/60 (Hz)	13/16	13/16	13/16	8.3/10
	Motor (kWxP)	High	0.75x4	0.75x4	0.75x4	0.75x4
		Low	0.5x6	0.5x6	0.5x6	0.5x6
Dimension (approx.) (mm)	H	400	495	600	950	
	R	950	950	1150	1400	
	A	775	870	950	1230	
	B	560	840	655	835	
	C	170	170	205	300	
	W	750	650	840	1250	
	D	47	47	58	58	
	P	140	140	165	165	
Q	170	170	195	195		
Weight (approx.) (kg)		460	550	850	950	
Rail (kg/m)		15	15	15	15	

Note : 1) Please make a contact about hoist with over 12m lift length.

Double Low Head Type Hoist with Motor Driven Trolley (Creep)



Capacity (ton)		10	15	20	
Model No.		DL10-C-H12	DL15-C-H12	DL20-C-H12	
Hoisting	Lift Height (m)	12	12	12	
	Speed (m/min)	50 (Hz)	3.7/0.37	3.7/0.37	3.5/0.35
		60 (Hz)	4.5/0.45	4.5/0.45	4.2/0.42
	Motor (kWxP)	9/1.1x8	13/1.8x8	17/1.8x8	
	Wire Rope (∅xFalls)	Construction	6x37	6x37	6x37
Dia.(mm) x No. of ropes		16x4	20x4	22.4x4	
Brake		DC Magnet Disc Brake			
Traversing	Speed (m/min)	High 50/60 (Hz)	12.5/15	12.5/15	12.5/15
		Low 50/60 (Hz)	8.3/10	8.3/10	8.3/10
	Motor (kWxP)	High	0.75x4	1.5x4	1.5x4
		Low	0.5x6	1x6	1x6
Dimension (approx.) (mm)	H	920	1250	1450	
	R	1300	1700	1800	
	A	1230	1080	1480	
	B	955	1009	1210	
	C	240	260	320	
	W	1250	1300	1400	
	D	58	58	58	
	P	165	180	220	
Q	195	210	250		
Weight (approx.) (kg)		1300	1950	2600	
Rail (kg/m)		15	22	22	

Note : 1) Please make a contact about hoist with over 12m lift length.